

# Technical Information

## Proline Promag 50P, 53P

### Electromagnetic flowmeter



## Flow measurement of liquids in chemical or process applications

### Application

Electromagnetic flowmeter for bidirectional measurement of liquids with a minimum conductivity of  $\geq 5 \mu\text{S}/\text{cm}$ :

- Acid, alkalis
- Paints
- Pastes
- Water, wastewater etc.
- Flow measurement up to  $9600 \text{ m}^3/\text{h}$  (42 268 gal/min)
- Fluid temperature up to  $+180 \text{ }^\circ\text{C}$  (356  $^\circ\text{F}$ )
- Process pressures up to 40 bar (580 psi)
- Lengths in accordance with DVGW/ISO

Application-specific lining materials:

- PTFE
- PFA

Approvals for hazardous area:

- ATEX
- IECEx
- FM
- CSA
- NEPSI
- TIIS

Connection to process control system:

- HART
- PROFIBUS DP/PA
- FOUNDATION Fieldbus
- Modbus RS485

### Your benefits

Promag measuring devices offer you cost-effective flow measurement with a high degree of accuracy for a wide range of process conditions.

The uniform Proline transmitter concept comprises:

- Modular device and operating concept resulting in a higher degree of efficiency
- Software options for batching, electrode cleaning and for measuring pulsating flow
- High degree of reliability and measuring stability
- Uniform operating concept

The tried-and-tested Promag sensors offer:

- No pressure loss
- Not sensitive to vibrations
- Simple installation and commissioning

## Table of contents

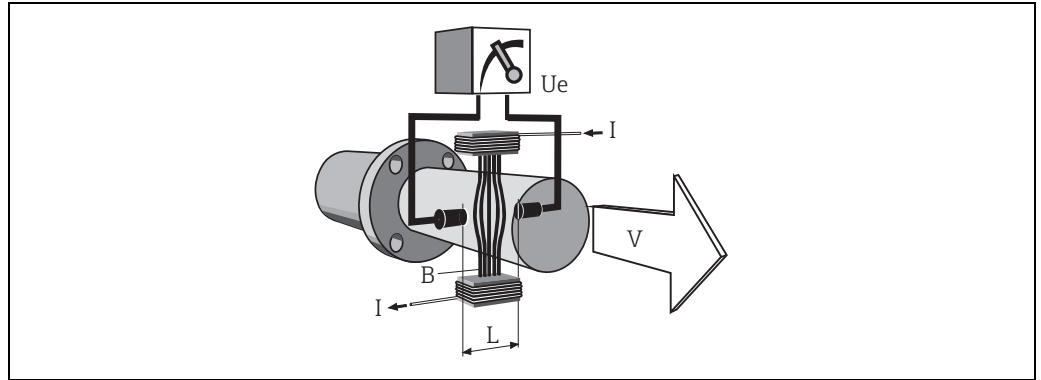
<b>Function and system design</b> .....	<b>3</b>	Pressure loss .....	25
Measuring principle .....	3	Vibrations .....	25
Measuring system .....	3		
<b>Input</b> .....	<b>4</b>	<b>Mechanical construction</b> .....	<b>26</b>
Measured variable .....	4	Design, dimensions .....	26
Measuring ranges .....	4	Weight .....	36
Operable flow range .....	4	Measuring tube specifications .....	37
Input signal .....	4	Material .....	38
<b>Output</b> .....	<b>4</b>	Fitted electrodes .....	38
Output signal .....	4	Process connections .....	38
Signal on alarm .....	6	Surface roughness .....	38
Load .....	6	<b>Operability</b> .....	<b>39</b>
Low flow cutoff .....	6	Local operation .....	39
Galvanic isolation .....	6	Language groups .....	39
Switching output .....	6	Remote operation .....	39
<b>Power supply</b> .....	<b>7</b>	<b>Certificates and approvals</b> .....	<b>40</b>
Terminal assignment .....	7	CE mark .....	40
Supply voltage .....	8	C-tick symbol .....	40
Power consumption .....	8	Pressure measuring device approval .....	40
Power supply failure .....	8	Ex approval .....	40
Electrical connection, measuring unit .....	8	Other standards and guidelines .....	40
Electrical connection, remote version .....	9	FOUNDATION Fieldbus certification .....	40
Potential equalization .....	9	Modbus RS485 certification .....	40
Cable entries .....	10	PROFIBUS DP/PA certification .....	40
Remote version cable specifications .....	11	<b>Ordering information</b> .....	<b>41</b>
<b>Performance characteristics</b> .....	<b>12</b>	<b>Accessories</b> .....	<b>41</b>
Reference operating conditions .....	12	<b>Documentation</b> .....	<b>41</b>
Maximum measured error .....	12	<b>Registered trademarks</b> .....	<b>41</b>
Repeatability .....	12	.....	42
<b>Installation</b> .....	<b>13</b>	.....	43
Mounting location .....	13		
Orientation .....	15		
Inlet and outlet run .....	15		
Adapters .....	16		
Length of connecting cable .....	16		
<b>Environment</b> .....	<b>18</b>		
Ambient temperature range .....	18		
Storage temperature .....	18		
Degree of protection .....	18		
Shock and vibration resistance .....	18		
Electromagnetic compatibility (EMC) .....	18		
<b>Process</b> .....	<b>19</b>		
Medium temperature range .....	19		
Conductivity .....	20		
Pressure-temperature ratings .....	20		
Medium pressure range (nominal pressure) .....	22		
Pressure tightness .....	22		
Limiting flow .....	23		

## Function and system design

### Measuring principle

Following *Faraday's law of magnetic induction*, a voltage is induced in a conductor moving through a magnetic field.

In the electromagnetic measuring principle, the flowing medium is the moving conductor. The voltage induced is proportional to the flow velocity and is supplied to the amplifier by means of two measuring electrodes. The flow volume is calculated by means of the pipe cross-sectional area. The DC magnetic field is created through a switched direct current of alternating polarity.



$$U_e = B \cdot L \cdot v$$

$$Q = A \cdot v$$

$U_e$	Induced voltage
$B$	Magnetic induction (magnetic field)
$L$	Electrode spacing
$v$	Flow velocity
$Q$	Volume flow
$A$	Pipe cross-section
$I$	Current strength

### Measuring system

The measuring system consists of a transmitter and a sensor.

Two versions are available:

- Compact version: Transmitter and sensor form a mechanical unit.
- Remote version: Sensor is mounted separate from the transmitter.

Transmitter:

- Promag 50 (user interface with push buttons for operation, two-line display, illuminated)
- Promag 53 ("Touch Control" without opening the housing, four-line display, unilluminated)

Sensor:

- Promag P (DN 15 to 600 / ½ to 24")

## Input

<b>Measured variable</b>	Flow velocity (proportional to induced voltage)
<b>Measuring ranges</b>	Measuring ranges for liquids Typically $v = 0.01$ to $10$ m/s ( $0.03$ to $33$ ft/s) with the specified accuracy
<b>Operable flow range</b>	Over $1000 : 1$
<b>Input signal</b>	<p><b>Status input (auxiliary input)</b></p> <ul style="list-style-type: none"> <li>▪ <math>U = 3</math> to <math>30</math> V DC, <math>R_i = 5</math> k<math>\Omega</math>, galvanically isolated</li> <li>▪ Configurable for: totalizer(s) reset, measured value suppression, error-message reset</li> </ul> <p><b>Status input (auxiliary input) with PROFIBUS DP and Modbus RS485</b></p> <ul style="list-style-type: none"> <li>▪ <math>U = 3</math> to <math>30</math> V DC, <math>R_i = 3</math> k<math>\Omega</math>, galvanically isolated</li> <li>▪ Switching level: <math>3</math> to <math>30</math> V DC, independent of polarity</li> <li>▪ Configurable for: totalizer(s) reset, measured value suppression, error-message reset, batching start/stop (optional), batch totalizer reset (optional)</li> </ul> <p><b>Current input (only Promag 53)</b></p> <ul style="list-style-type: none"> <li>▪ Active/passive selectable, galvanically isolated, full scale value selectable, resolution: <math>3</math> <math>\mu</math>A, temperature coefficient: typ. <math>0.005\%</math> o.r./<math>^{\circ}</math>C (o.r. = of reading)</li> <li>▪ Active: <math>4</math> to <math>20</math> mA, <math>R_i \leq 150</math> W, max. <math>24</math> V DC, short-circuit-proof</li> <li>▪ Passive: <math>0/4</math> to <math>20</math> mA, <math>R_i &lt; 150</math> W, max. <math>30</math> V DC</li> </ul>

## Output

<b>Output signal</b>	<p><b>Promag 50</b></p> <p><b>Current output</b> Active/passive selectable, galvanically isolated, time constant selectable (<math>0.01</math> to <math>100</math> s), full scale value selectable, temperature coefficient: typ. <math>0.005\%</math> o.r./<math>^{\circ}</math>C (o.r. = of reading), resolution: <math>0.5</math> mA</p> <ul style="list-style-type: none"> <li>▪ Active: <math>0/4</math> to <math>20</math> mA, <math>R_L &lt; 700</math> <math>\Omega</math> (HART: <math>R_L \geq 250</math> <math>\Omega</math>)</li> <li>▪ Passive: <math>4</math> to <math>20</math> mA, operating voltage <math>V_S</math>: <math>18</math> to <math>30</math> V DC, <math>R_L \geq 150</math> <math>\Omega</math></li> </ul> <p><b>Pulse/frequency output</b> Passive, open collector, <math>30</math> V DC, <math>250</math> mA, galvanically isolated</p> <ul style="list-style-type: none"> <li>▪ Frequency output: full scale frequency <math>2</math> to <math>1000</math> Hz (<math>f_{max} = 1250</math> Hz), on/off ratio <math>1:1</math>, pulse width max. <math>10</math> s</li> <li>▪ Pulse output: pulse value and pulse polarity selectable, max. pulse width configurable (<math>0.5</math> to <math>2000</math> ms)</li> </ul> <p><b>PROFIBUS DP interface</b></p> <ul style="list-style-type: none"> <li>▪ Transmission technology (Physical Layer): RS485 in accordance with ASME/TIA/EIA-485-A: 1998, galvanically isolated</li> <li>▪ Profil version 3.0</li> <li>▪ Data transmission rate: <math>9,6</math> kBaud to <math>12</math> MBaud</li> <li>▪ Automatic data transmission rate recognition</li> <li>▪ Function blocks: <math>1 \times</math> analog Input, <math>1 \times</math> totalizer</li> <li>▪ Output data: volume flow, totalizer</li> <li>▪ Input data: positive zero return (ON/OFF), totalizer control, value for local display</li> <li>▪ Cyclic data transmission compatible with previous model Promag 33</li> <li>▪ Bus address adjustable via miniature switches or local display (optional) at the measuring device</li> </ul> <p><b>PROFIBUS PA interface</b></p> <ul style="list-style-type: none"> <li>▪ Transmission technology (Physical Layer): IEC 61158-2 (MBP), galvanically isolated</li> <li>▪ Profil version 3.0</li> <li>▪ Current consumption: <math>11</math> mA</li> <li>▪ Permissible supply voltage: <math>9</math> to <math>32</math> V</li> <li>▪ Bus connection with integrated reverse polarity protection</li> <li>▪ Error current FDE (Fault Disconnection Electronic): <math>0</math> mA</li> <li>▪ Function blocks: <math>1 \times</math> analog input, <math>2 \times</math> totalizer</li> <li>▪ Output data: volume flow, totalizer</li> <li>▪ Input data: positive zero return (ON/OFF), control totalizer, value for local display</li> </ul>
----------------------	--

- Cyclic data transmission compatible with previous model Promag 33
- Bus address adjustable via miniature switches or local display (optional) at the measuring device

### Promag 53

#### Current output

Active/passive selectable, galvanically isolated, time constant selectable (0.01 to 100 s), full scale value selectable, temperature coefficient: typ. 0.005% o.r./°C (o.r. = of reading), resolution: 0.5 mA


- Active: 0/4 to 20 mA,  $R_L < 700 \Omega$  (HART:  $R_L \geq 250 \Omega$ )
- Passive: 4 to 20 mA, operating voltage  $V_S$ : 18 to 30 V DC,  $R_i \geq 150 \Omega$

#### Pulse/frequency output

Active/passive selectable, galvanically isolated (Ex i version: only passive)

- Active: 24 V DC, 25 mA (max. 250 mA during 20 ms),  $R_L > 100 \Omega$
- Passive: open collector, 30 V DC, 250 mA
- Frequency output: full scale frequency 2 to 10000 Hz ( $f_{max} = 12500$  Hz), EEx-ia: 2 to 5000 Hz; on/off ratio 1:1, pulse width max. 10 s
- Pulse output: pulse value and pulse polarity selectable, max. pulse width configurable (0.05 to 2000 ms)


#### PROFIBUS DP interface

- Transmission technology (Physical Layer): RS485 in accordance with ASME/TIA/EIA-485-A: 1998, galvanically isolated
- Profil version 3.0
- Data transmission rate: 9,6 kBaud to 12 MBaud
- Automatic data transmission rate recognition
- Function blocks: 2 × analog Input, 3 × totalizer
- Output data: volume flow, calculated mass flow, totalizer 1 to 3
- Input data: positive zero return (ON/OFF), totalizer control, value for local display
- Cyclic data transmission compatible with previous model Promag 33
- Bus address adjustable via miniature switches or local display (optional) at the measuring device
- Available output combination →  7

#### PROFIBUS PA interface

- Transmission technology (Physical Layer): IEC 61158-2 (MBP), galvanically isolated
- Profil version 3.0
- Current consumption: 11 mA
- Permissible supply voltage: 9 to 32 V
- Bus connection with integrated reverse polarity protection
- Error current FDE (Fault Disconnection Electronic): 0 mA
- Function blocks: 2 × analog input, 3 × totalizer
- Output data: volume flow, calculated mass flow, totalizer 1 to 3
- Input data: positive zero return (ON/OFF), totalizer control, value for local display
- Cyclic data transmission compatible with previous model Promag 33
- Bus address adjustable via miniature switches or local display (optional) at the measuring device

#### Modbus RS485 interface

- Transmission technology (Physical Layer): RS485 in accordance with ASME/TIA/EIA-485-A: 1998, galvanically isolated
- Modbus device type: Slave
- Address range: 1 to 247
- Bus address adjustable via miniature switches or local display (optional) at the measuring device
- Supported Modbus function codes: 03, 04, 06, 08, 16, 23
- Broadcast: supported with the function codes 06, 16, 23
- Transfer mode: RTU or ASCII
- Supported baudrate: 1200, 2400, 4800, 9600, 19200, 38400, 57600, 115200 Baud
- Response time:
  - Direct data access = typically 25 to 50 ms
  - Auto-scan buffer (data range) = typically 3 to 5 ms
- Available output combination →  7

**FOUNDATION Fieldbus interface**

- FOUNDATION Fieldbus H1
- Transmission technology (Physical Layer): IEC 61158-2 (MBP), galvanically isolated
- ITK version 5.01
- Current consumption: 12 mA
- Error current FDE (Fault Disconnection Electronic): 0 mA
- Bus connection with integrated reverse polarity protection
- Function blocks:
  - 5 × Analog Input (execution time: 18 ms each)
  - 1 × PID (25 ms)
  - 1 × Digital Output (18 ms)
  - 1 × Signal Characterizer (20 ms)
  - 1 × Input Selector (20 ms)
  - 1 × Arithmetic (20 ms)
  - 1 × Integrator (18 ms)
- Output data: volume flow, calculated mass flow, temperature, totalizer 1 to 3
- Input data: positive zero return (ON/OFF), reset totalizer
- Link Master (LM) functionality is supported

**Signal on alarm**

- Current output<sup>®</sup> failure response selectable (e.g. in accordance with NAMUR recommendation NE 43)
- Pulse/frequency output<sup>®</sup> failure response selectable
- Status output (Promag 50)<sup>®</sup> non-conductive by fault or power supply failure
- Relay output (Promag 53)<sup>®</sup> de-energized by fault or power supply failure

**Load**

See "Output signal"

**Low flow cutoff**

Switch points for low flow cutoff are selectable.

**Galvanic isolation**

All circuits for inputs, outputs and power supply are galvanically isolated from each other.

**Switching output****Status output (Promag 50, Promag 53)**

Open collector, max. 30 V DC / 250 mA, galvanically isolated. Configurable for: error messages, Empty Pipe Detection (EPD), flow direction, limit values.

**Relay outputs (Promag 53)**

Normally closed (NC or break) or normally open (NO or make) contacts available (default: relay 1 = NO, relay 2 = NC), max. 30 V / 0.5 A AC ; 60 V / 0.1 A DC, galvanically isolated. Configurable for: error messages, Empty Pipe Detection (EPD), flow direction, limit values, batching contacts.

## Power supply

### Terminal assignment

#### Terminal assignment, Promag 50

Order code for "Input / Output"	Terminal No. (inputs/outputs)			
	20 (+) / 21 (-)	22 (+) / 23 (-)	24 (+) / 25 (-)	26 (+) / 27 (-)
W	-	-	-	Current output HART
A	-	-	Frequency output	Current output HART
D	Status input	Status output	Frequency output	Current output HART
H	-	-	-	PROFIBUS PA
J	-	-	+5 V (external termination)	PROFIBUS DP
S	-	-	Frequency output, Ex i, passive	Current output, Ex i, passive, HART
T	-	-	Frequency output, Ex i, passive	Current output, Ex i, passive, HART

Ground terminal → 8

#### Terminal assignment, Promag 53

The inputs and outputs on the communication board can be either permanently assigned or variable, depending on the version ordered (see table). Replacements for modules which are defective or which have to be replaced can be ordered as accessories.

Order code for "Input / Output"	Terminal No. (inputs/outputs)			
	20 (+) / 21 (-)	22 (+) / 23 (-)	24 (+) / 25 (-)	26 (+) / 27 (-)
Fixed communication boards (fixed assignment)				
A	-	-	Frequency output	Current output HART
B	Relay output 2	Relay output 1	Frequency output	Current output HART
F	-	-	-	PROFIBUS PA, Ex i
G	-	-	-	FOUNDATION Fieldbus, Ex i
H	-	-	-	PROFIBUS PA
J	-	-	-	PROFIBUS DP
K	-	-	-	FOUNDATION Fieldbus
Q	-	-	Status input	Modbus RS485
S	-	-	Frequency output, Ex i	Current output, Ex i, passive, HART
T	-	-	Frequency output, Ex i	Current output, Ex i, passive, HART
Flexible communication boards				
C	Relay output 2	Relay output 1	Frequency output	Current output HART
D	Status input	Relay output	Frequency output	Current output HART
L	Status input	Relay output 2	Relay output 1	Current output HART
M	Status input	Frequency output	Frequency output	Current output HART
N	Current output	Frequency output	Status input	Modbus RS485
P	Current output	Frequency output	Status input	PROFIBUS DP
V	Relay output 2	Relay output 1	Status input	PROFIBUS DP
2	Relay output	Current output	Frequency output	Current output HART
4	Current input	Relay output	Frequency output	Current output HART
5	Status input	Current input	Frequency output	Current output HART
7	Relay output 2	Relay output 1	Status input	Modbus RS485

Ground terminal → 8

**Supply voltage**

- 85 to 260 V AC, 45 to 65 Hz
- 20 to 55 V AC, 45 to 65 Hz
- 16 to 62 V DC

PROFIBUS PA and FOUNDATION Fieldbus

- Non-Ex: 9 to 32 V DC
- Ex i: 9 to 24 V DC
- Ex d: 9 to 32 V DC

**Power consumption**

- AC: < 15 VA (incl. sensor)
- DC: < 15 W (incl. sensor)

Switch-on current:

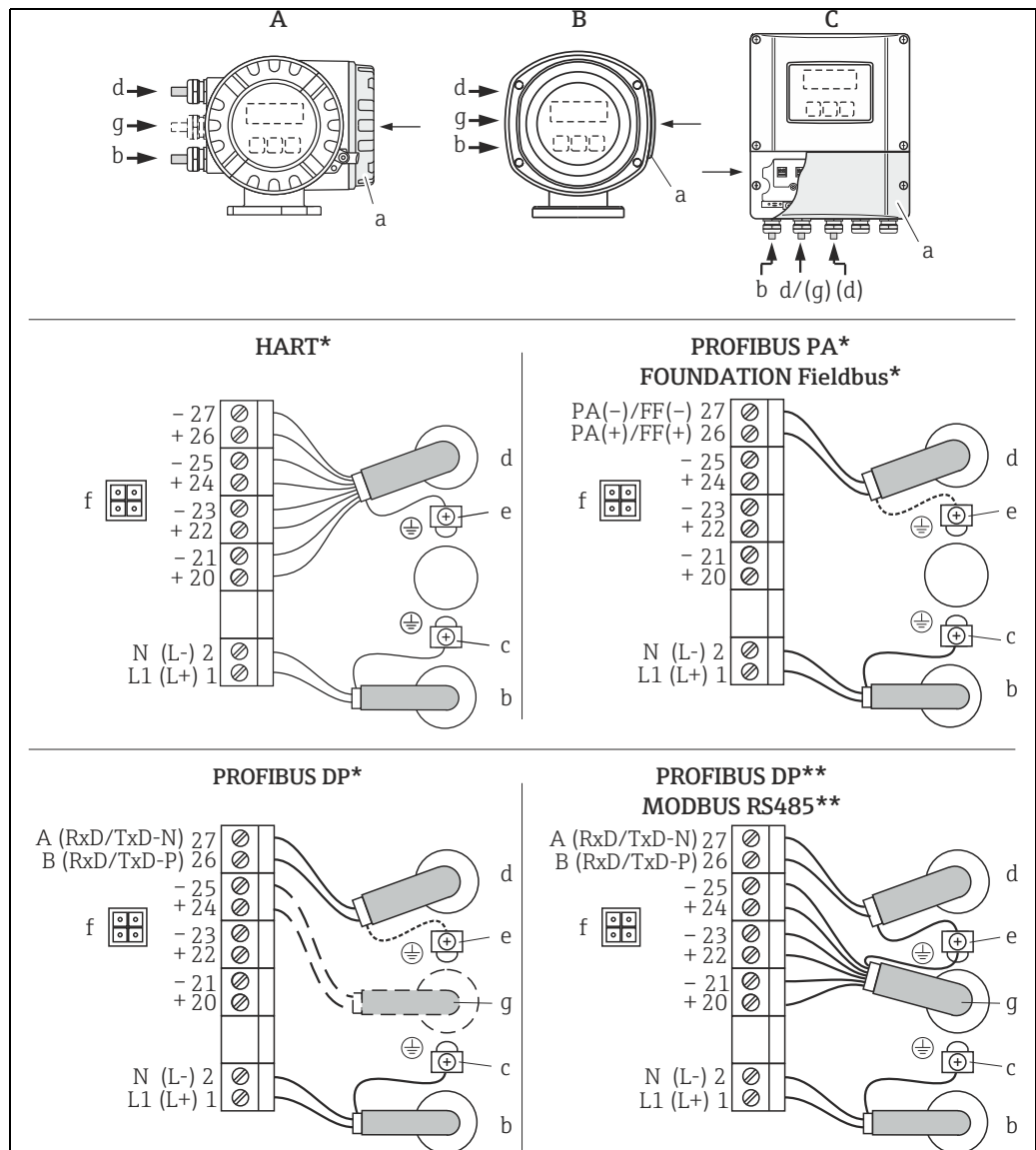
- Max. 3 A (< 5 ms) for 260 V AC
- Max. 13.5 A (< 50 ms) for 24 V DC

**Power supply failure**

Lasting min. ½ cycle frequency: EEPROM saves measuring system data

- EEPROM or T-DAT (Promag 53 only) retain the measuring system data in the event of a power supply failure
- S-DAT: exchangeable data storage chip which stores the data of the sensor (nominal diameter, serial number, calibration factor, zero point etc.)

**Electrical connection, measuring unit**

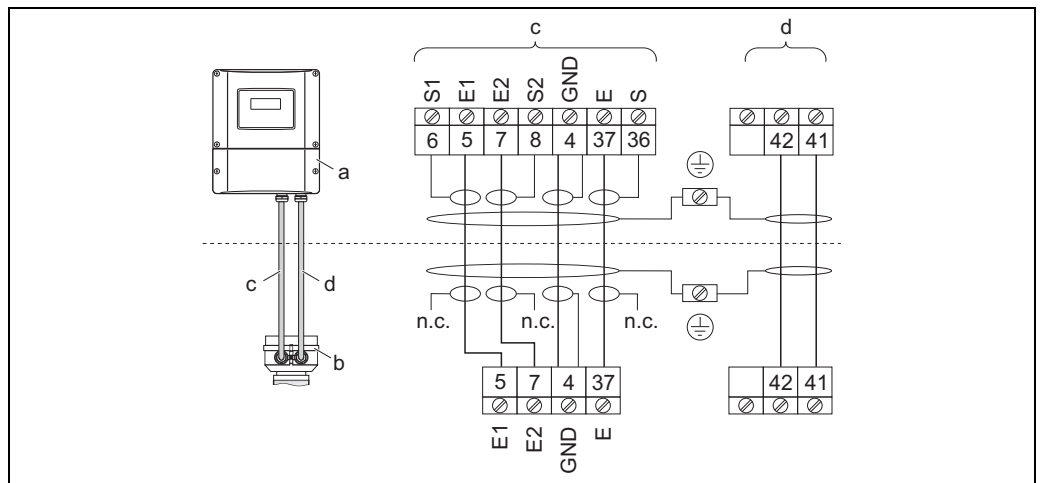


Connecting the transmitter, cable cross-section max. 2.5 mm<sup>2</sup> (14 AWG)

A View A (field housing)

- B View B (stainless steel field housing)
- C View C (wall-mount housing)
- \*) fixed communication boards
- \*\*\*) flexible communication boards
- a Connection compartment cover
- b Cable for power supply: 85 to 260 V AC / 20 to 55 V AC / 16 to 62 V DC  
- Terminal No. 1: L1 for AC, L+ for DC  
- Terminal No. 2: N for AC, L- for DC
- c Ground terminal for protective conductor
- d Electrode cable: see "Electrical connection, terminal assignment" → 7  
Fieldbus cable:  
- Terminal No. 26: DP (B) / PA + / FF + / Modbus RS485 (B) / (PA, FF: with polarity protection)  
- Terminal No. 27: DP (A) / PA - / FF - / Modbus RS485 (A) / (PA, FF: with polarity protection)
- e Ground terminal for electrode cable shield / Fieldbus cable / RS485 line
- f Service adapter for connecting service interface FXA193 (Fieldcheck, FieldCare)
- g Electrode cable: see "Electrical connection, terminal assignment" → 7  
Cable for external termination (only for PROFIBUS DP with fixed assignment communication board):  
- Terminal No. 24: +5 V  
- Terminal No. 25: DGND

**Electrical connection, remote version**



Connecting the remote version

- a Wall-mount housing connection compartment
  - b Sensor connection housing cover
  - c Electrode cable
  - d Coil current cable
  - n.c. Not connected, insulated cable shields
- Terminal no. and cable colors: 6/5 = brown; 7/8 = white; 4 = green; 36/37 = yellow

**Potential equalization**



Note!

The measuring system must be included in the potential equalization.

Perfect measurement is only ensured when the fluid and the sensor have the same electrical potential. This is ensured by the reference electrode integrated in the sensor as standard.


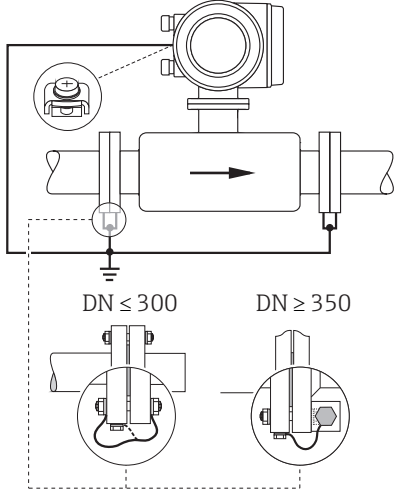
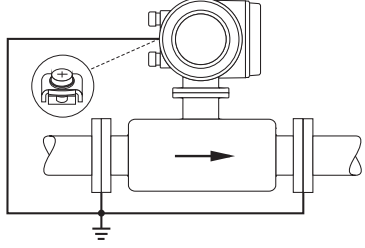
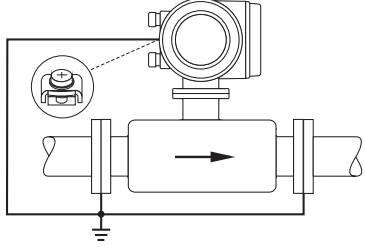
The following should also be taken into consideration for potential equalization:

- Internal grounding concepts in the company
- Operating conditions, such as the material/ grounding of the pipes (see table)

*Standard situation*

Operating conditions	Potential equalization
<p>When using the measuring device in a:</p> <ul style="list-style-type: none"> <li>■ Metal, grounded pipe</li> </ul> <p>Potential equalization takes place via the ground terminal of the transmitter.</p> <p> Note! When installing in metal pipes, we recommend you connect the ground terminal of the transmitter housing with the piping.</p>	<p style="text-align: right;">Via the ground terminal of the transmitter</p>

## Special situations

Operating conditions	Potential equalization
<p>When using the measuring device in a:</p> <ul style="list-style-type: none"> <li>▪ Metal pipe that is not grounded</li> </ul> <p>This connection method also applies in situations where:</p> <ul style="list-style-type: none"> <li>▪ Customary potential equalization cannot be ensured.</li> <li>▪ Excessively high equalizing currents can be expected.</li> </ul> <p>Both sensor flanges are connected to the pipe flange by means of a ground cable (copper wire, at least 6 mm<sup>2</sup> / 0.0093 in<sup>2</sup>) and grounded. Connect the transmitter or sensor connection housing, as applicable, to ground potential by means of the ground terminal provided for the purpose.</p> <ul style="list-style-type: none"> <li>▪ DN ≤ 300 (12"): the ground cable is mounted directly on the conductive flange coating with the flange screws.</li> <li>▪ DN ≥ 350 (14"): the ground cable is mounted directly on the transportation metal support.</li> </ul> <p> <b>Note!</b> The ground cable for flange-to-flange connections can be ordered separately as an accessory from Endress+Hauser.</p>	 <p style="text-align: right;">A0011893</p> <p><i>Via the ground terminal of the transmitter and the flanges of the pipe</i></p>
<p>When using the measuring device in a:</p> <ul style="list-style-type: none"> <li>▪ Plastic pipe</li> <li>▪ Pipe with insulating lining</li> </ul> <p>This connection method also applies in situations where:</p> <ul style="list-style-type: none"> <li>▪ Customary potential equalization cannot be ensured.</li> <li>▪ Excessively high equalizing currents can be expected.</li> </ul> <p>Potential equalization takes place using additional ground disks, which are connected to the ground terminal via a ground cable (copper wire, at least 6 mm<sup>2</sup> / 0.0093 in<sup>2</sup>). When installing the ground disks, please comply with the enclosed Installation Instructions.</p>	 <p style="text-align: right;">A0011895</p> <p><i>Via the ground terminal of the transmitter and the optionally available ground disks</i></p>
<p>When using the measuring device in a:</p> <ul style="list-style-type: none"> <li>▪ Pipe with a cathodic protection unit</li> </ul> <p>The device is installed potential-free in the pipe. Only the two flanges of the pipe are connected with a ground cable (copper wire, at least 6 mm<sup>2</sup> / 0.0093 in<sup>2</sup>). Here, the ground cable is mounted directly on the conductive flange coating with flange screws.</p> <p>Note the following when installing:</p> <ul style="list-style-type: none"> <li>▪ The applicable regulations regarding potential-free installation must be observed.</li> <li>▪ There should be <b>no</b> electrically conductive connection between the pipe and the device.</li> <li>▪ The mounting material must withstand the applicable torques.</li> </ul>	 <p style="text-align: right;">A0011896</p> <p><i>Potential equalization and cathodic protection</i></p> <p>1 Power supply isolation transformer 2 Electrically isolated</p>

## Cable entries

Power supply and electrode cables (inputs/ outputs):

- Cable entry M20 × 1.5 (8 to 12 mm / 0.31 to 0.47")
- Sensor cable entry for armoured cables M20 × 1.5 (9.5 to 16 mm / 0.37 to 0.63")
- Thread for cable entries, ½" NPT, G ½"

Connecting cable for remote version:

- Cable entry M20 × 1.5 (8 to 12 mm / 0.31 to 0.47")
- Sensor cable entry for armoured cables M20 × 1.5 (9.5 to 16 mm / 0.37 to 0.63")
- Thread for cable entries, ½" NPT, G ½"

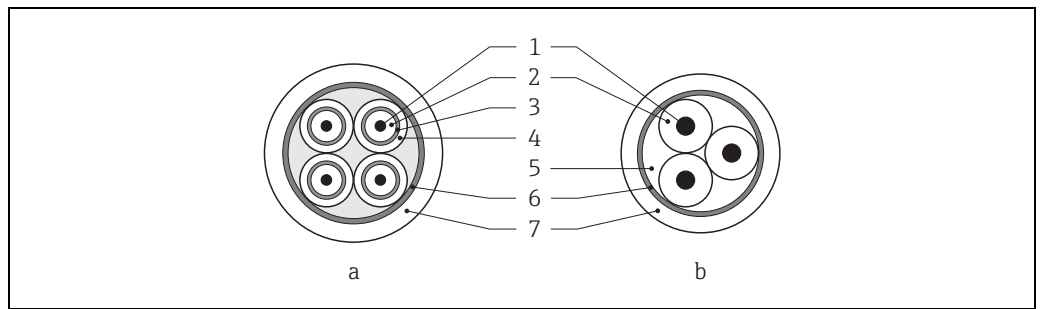
**Remote version cable specifications**

Coil current cable

- $2 \times 0.75 \text{ mm}^2$  (18 AWG) PVC cable with common, braided copper shield ( $\varnothing \sim 7 \text{ mm} / 0.28''$ )
- Conductor resistance:  $\leq 37 \text{ } \Omega/\text{km}$  ( $\leq 0.011 \text{ } \Omega/\text{ft}$ )
- Capacitance core/core, shield grounded:  $\leq 120 \text{ pF/m}$  ( $\leq 37 \text{ pF/ft}$ )
- Operating temperature:  $-20$  to  $+80 \text{ } ^\circ\text{C}$  ( $-68$  to  $+176 \text{ } ^\circ\text{F}$ )
- Cable cross-section: max.  $2.5 \text{ mm}^2$  (14 AWG)
- Test voltage for cable insulation:  $\leq 1433 \text{ AC r.m.s. } 50/60 \text{ Hz}$  or  $\geq 2026 \text{ V DC}$

Electrode cable

- $3 \times 0.38 \text{ mm}^2$  (20 AWG) PVC cable with common, braided copper shield ( $\varnothing \sim 7 \text{ mm} / 0.28''$ ) and individual shielded cores
- With empty pipe detection (EPD):  $4 \times 0.38 \text{ mm}^2$  (20 AWG) PVC cable with common, braided copper shield ( $\varnothing \sim 7 \text{ mm} / 0.28''$ ) and individual shielded cores
- Conductor resistance:  $\leq 50 \text{ } \Omega/\text{km}$  ( $\leq 0.015 \text{ } \Omega/\text{ft}$ )
- Capacitance core/shield:  $\leq 420 \text{ pF/m}$  ( $\leq 128 \text{ pF/ft}$ )
- Operating temperature:  $-20$  to  $+80 \text{ } ^\circ\text{C}$  ( $-68$  to  $+176 \text{ } ^\circ\text{F}$ )
- Cable cross-section: max.  $2.5 \text{ mm}^2$  (14 AWG)



- a Electrode cable  
 b Coil current cable
- 1 Core  
 2 Core insulation  
 3 Core shield  
 4 Core jacket  
 5 Core reinforcement  
 6 Cable shield  
 7 Outer jacket

Operation in zones of severe electrical interference

The measuring device complies with the general safety requirements in accordance with EN 61010 and the EMC requirements of IEC/EN 61326 and NAMUR recommendation NE 21.



Note!

Grounding is by means of the ground terminals provided for the purpose inside the connection housing. Ensure that the stripped and twisted lengths of cable shield to the ground terminal are as short as possible.

## Performance characteristics

### Reference operating conditions

#### As per DIN EN 29104 and VDI/VDE 2641:

- Fluid temperature:  $+28\text{ °C} \pm 2\text{ K}$  ( $+82\text{ °F} \pm 2\text{ K}$ )
- Ambient temperature:  $+22\text{ °C} \pm 2\text{ K}$  ( $+72\text{ °F} \pm 2\text{ K}$ )
- Warm-up period: 30 minutes

#### Installation conditions:

- Inlet run  $> 10 \times \text{DN}$
- Outlet run  $> 5 \times \text{DN}$
- Sensor and transmitter grounded.
- The sensor is centered in the pipe.

### Maximum measured error

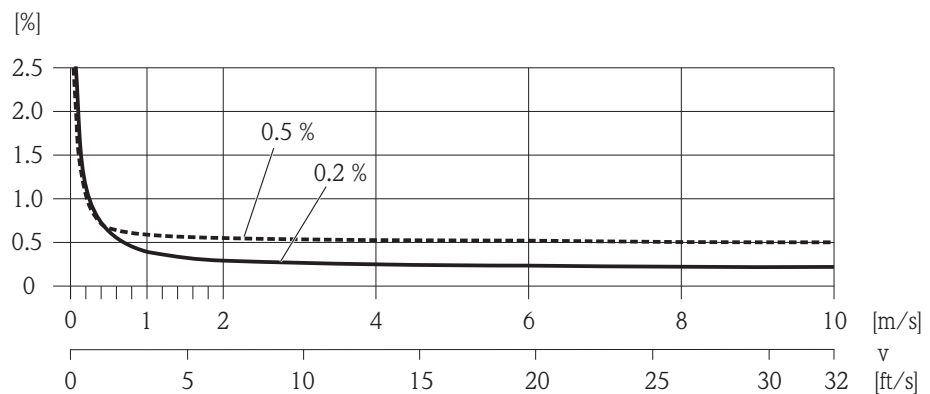
#### Promag 50:

- Current output: also typically  $\pm 5\ \mu\text{A}$
- Pulse output:  $\pm 0.5\%$  o.r.  $\pm 1\text{ mm/s}$  ( $\pm 0.5\%$  o.r.  $\pm 0.04\text{ in/s}$ )  
optional:  $\pm 0.2\%$  o.r.  $\pm 2\text{ mm/s}$  ( $\pm 0.2\%$  o.r.  $\pm 0.08\text{ in/s}$ ) (o.r. = of reading)

#### Promag 53:

- Current output: also typically  $\pm 5\ \mu\text{A}$
- Pulse output:  $\pm 0.2\%$  o.r.  $\pm 2\text{ mm/s}$  ( $\pm 0.2\%$  o.r.  $\pm 0.08\text{ in/s}$ ) (o.r. = of reading)

Fluctuations in the supply voltage do not have any effect within the specified range.



A0005531

Max. measured error in % of reading

### Repeatability

Max.  $\pm 0.1\%$  o.r.  $\pm 0.5\text{ mm/s}$  ( $\pm 0.1\%$  o.r.  $\pm 0.02\text{ in/s}$ ) (o.r. = of reading)

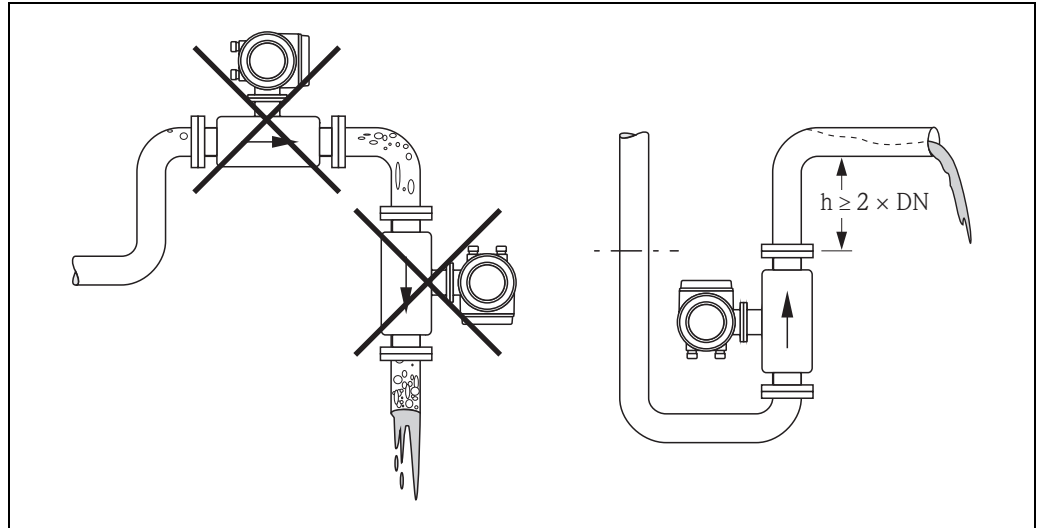
## Installation

### Mounting location

Entrained air or gas bubble formation in the measuring tube can result in an increase in measuring errors.

**Avoid** the following installation locations in the pipe:

- Highest point of a pipeline. Risk of air accumulating!
- Directly upstream from a free pipe outlet in a vertical pipeline.



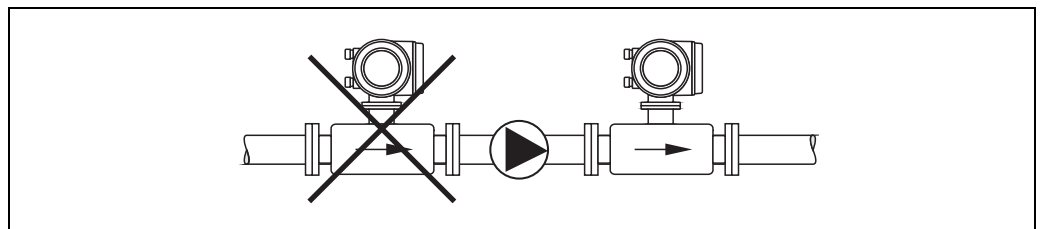
A0011899

Mounting location

### Installation of pumps

Sensors may not be installed on the pump suction side. This precaution is to avoid low pressure and the consequent risk of damage to the lining of the measuring tube. Information on the pressure tightness of the measuring tube lining → 22, Section "Pressure tightness".

Pulsation dampers may be needed when using piston pumps, piston diaphragm pumps or hose pumps. Information on the shock and vibration resistance of the measuring system → 18, Section "Shock and vibration resistance".



A0011900

Installation of pumps

### Partially filled pipes

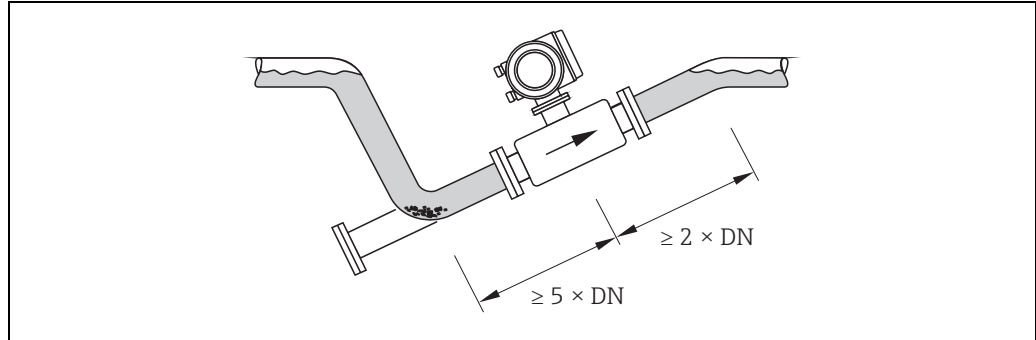
Partially filled pipes with gradients necessitate a drain-type configuration.

The empty pipe detection function (EPD) provides additional security in detecting empty or partially filled pipes.



Note!

Risk of solids accumulating. Do not install the sensor at the lowest point in the drain. It is advisable to install a cleaning valve.



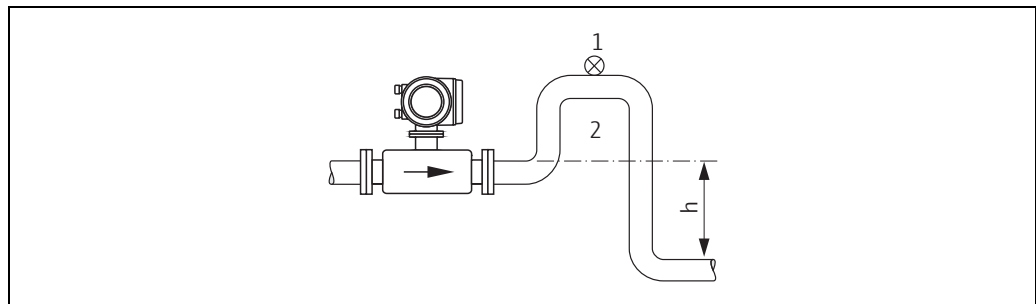
A0011901

Installation with partially filled pipes

### Down pipes

Install a siphon or a vent valve downstream of the sensor in down pipes  $h \geq 5$  m (16.4 ft). This precaution is to avoid low pressure and the consequent risk of damage to the lining of the measuring tube. This measure also prevents the liquid current stopping in the pipe which could cause air locks.

Information on the pressure tightness of the measuring tube lining → 22, Section "Pressure tightness".



A0011902

Installation measures for vertical pipes

- 1 Vent valve
- 2 Pipe siphon
- h Length of the down pipe

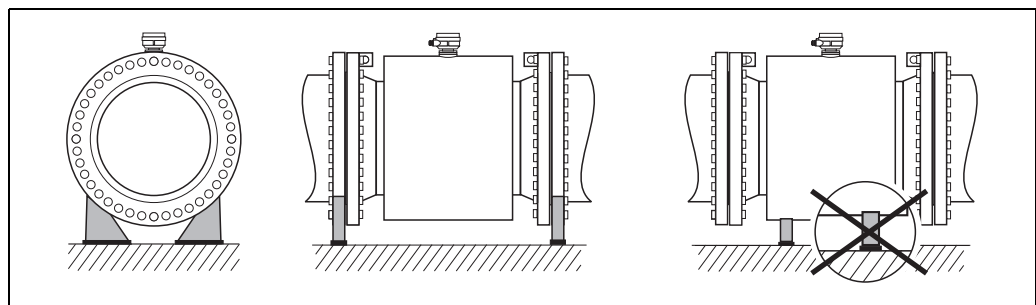
### Foundations, supports

If the nominal diameter is  $DN \geq 350$ , mount the transmitter on a foundation of adequate load-bearing strength.



Note!

Do not allow the casing to take the weight of the sensor. This would buckle the casing and damage the internal magnetic coils.



A0003209

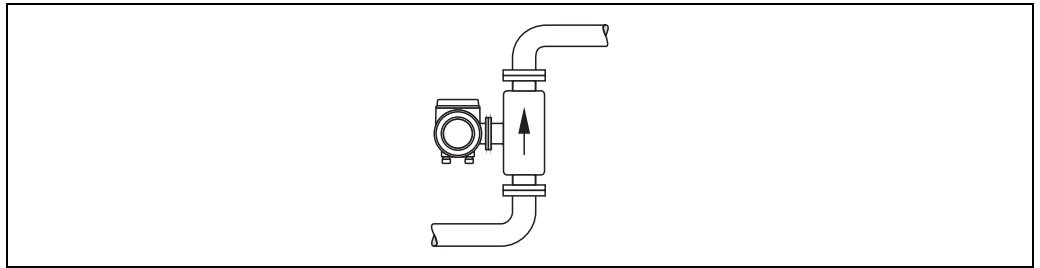
**Orientation**

**Orientation**

An optimum orientation helps avoid gas and air accumulations and deposits in the measuring tube. However, the measuring device also offers the additional function of empty pipe detection (EPD) for detecting partially filled measuring tubes or if outgassing fluids or fluctuating operating pressures are present.

*Vertical orientation*

This is the ideal orientation for self-emptying piping systems and for use in conjunction with empty pipe detection.



Vertical orientation

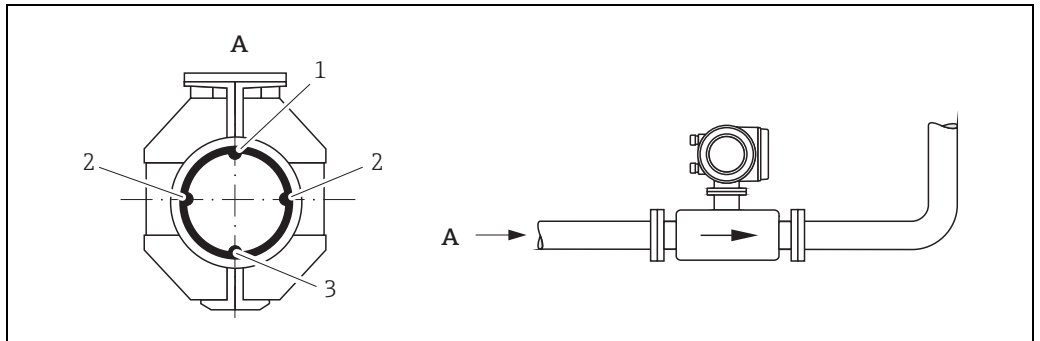
*Horizontal orientation*

The measuring electrode axis should be horizontal. This prevents brief insulation of the two measuring electrodes by entrained air bubbles.



**Note!**

Empty pipe detection only works correctly with horizontal orientation if the transmitter housing is facing upwards. Otherwise there is no guarantee that empty pipe detection will respond if the measuring tube is only partially filled or empty.



Horizontal orientation

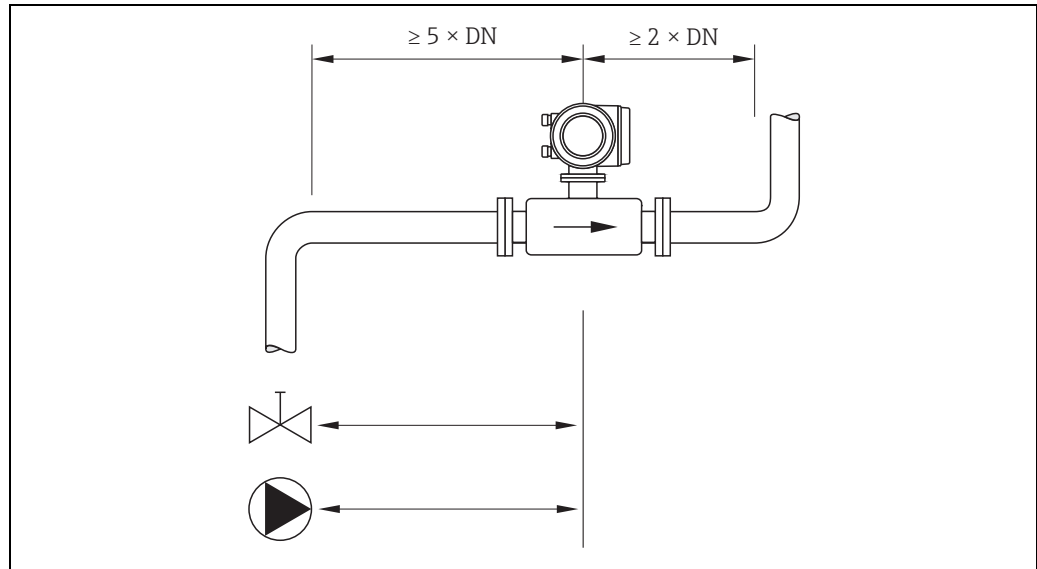
- 1 EPD electrode for empty pipe detection
- 2 Measuring electrodes for signal detection
- 3 Reference electrode for potential equalization

**Inlet and outlet run**

If possible, install the sensor well clear of assemblies such as valves, T-pieces, elbows etc.

Note the following inlet and outlet runs to comply with measuring accuracy specifications:

- Inlet run:  $\geq 5 \times DN$
- Outlet run:  $\geq 2 \times DN$



Inlet and outlet run

A0011905

## Adapters

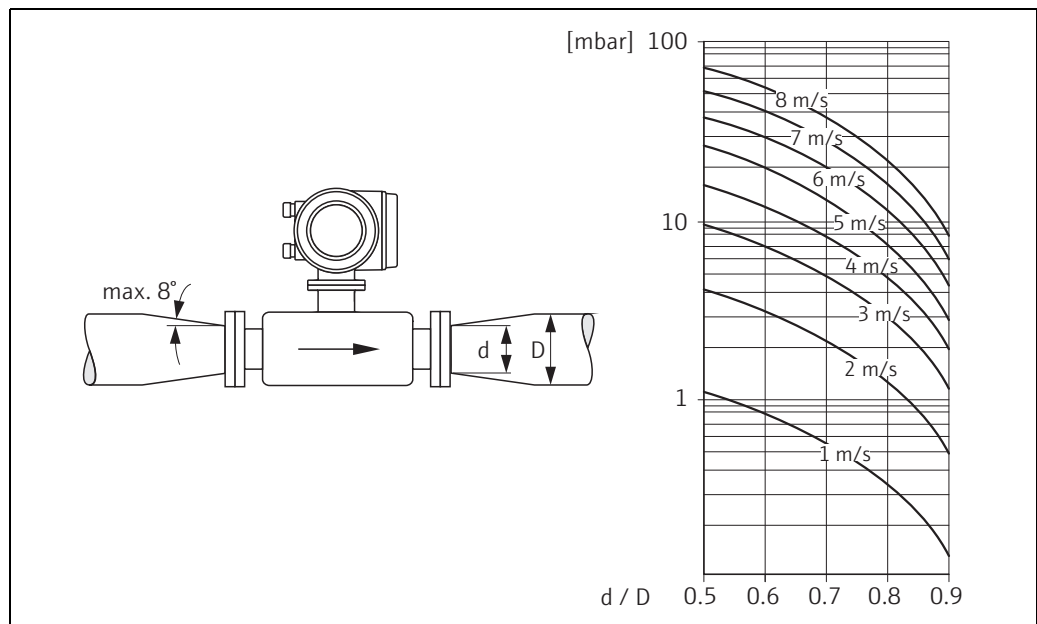
Suitable adapters to DIN EN 545 (double-flange reducers) can be used to install the sensor in larger-diameter pipes. The resultant increase in the rate of flow improves measuring accuracy with very slow-moving fluids. The nomogram shown here can be used to calculate the pressure loss caused by reducers and expanders.



Note!

The nomogram only applies to liquids of viscosity similar to water.

1. Calculate the ratio of the diameters  $d/D$ .
2. From the nomogram read off the pressure loss as a function of flow velocity (downstream from the reduction) and the  $d/D$  ratio.



Pressure loss due to adapters

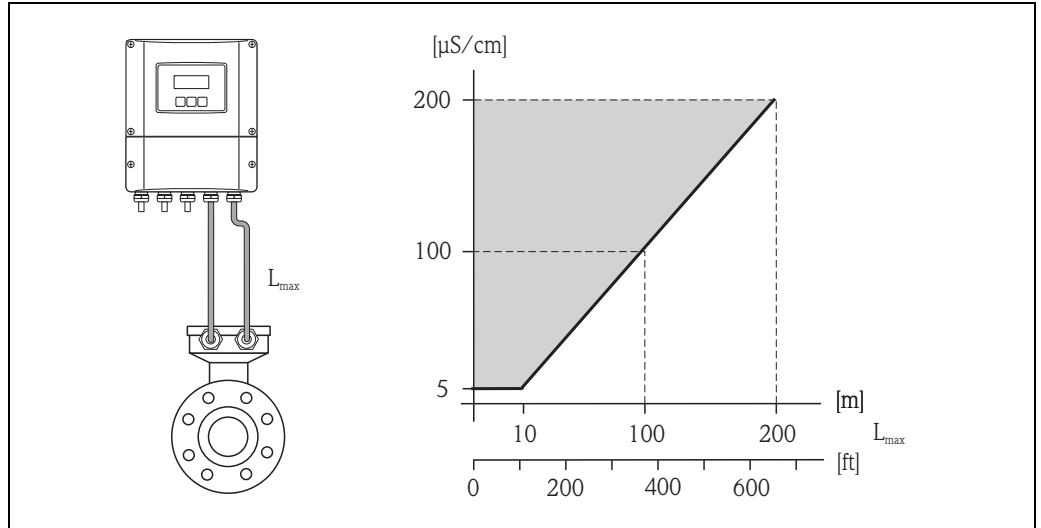
A0011907

## Length of connecting cable

When mounting the remote version, please note the following to achieve correct measuring results:

- Fix cable run or lay in armored conduit. Cable movements can falsify the measuring signal especially in the case of low fluid conductivities.

- Route the cable well clear of electrical machines and switching elements.
- If necessary, ensure potential equalization between sensor and transmitter.
- The permitted cable length  $L_{max}$  is determined by the fluid conductivity. A minimum conductivity of  $20 \mu\text{S}/\text{cm}$  is required for measuring demineralized water.
- When the empty pipe detection function is switched on (EPD), the maximum connecting cable length is 10 m (33 ft).



A0010734

Permitted length of connecting cable for remote version  
 Area marked in gray = permitted range;  $L_{max}$  = length of connecting cable in [m] ([ft]); fluid conductivity in  $[\mu\text{S}/\text{cm}]$

## Environment

### Ambient temperature range

#### Transmitter

- Standard: -20 to +60 °C (-4 to +140 °F)
- Optional: -40 to +60 °C (-40 to +140 °F)



#### Note!


At ambient temperatures below -20 °C (-4 °F) the readability of the display may be impaired.

#### Sensor

- Flange material carbon steel: -10 to +60 °C (+14 to +140 °F)
- Flange material stainless steel: -40 to +60 °C (-40 to +140 °F)



#### Note!

The permitted temperature range of the measuring tube lining may not be undershot or overshot →  19, Section "Medium temperature range".

Please note the following points:

- Install the device in a shady location. Avoid direct sunlight, particularly in warm climatic regions.
- The transmitter must be mounted separate from the sensor if both the ambient and fluid temperatures are high.

### Storage temperature

The storage temperature corresponds to the operating temperature range of the measuring transmitter and the appropriate measuring sensors.



#### Note!

- The measuring device must be protected against direct sunlight during storage in order to avoid unacceptably high surface temperatures.
- A storage location must be selected where moisture does not collect in the measuring device. This will help prevent fungus and bacteria infestation which can damage the liner.
- Do not remove the protective plates or caps on the process connections until the device is ready to install.

### Degree of protection

- Standard: IP 67 (NEMA 4X) for transmitter and sensor.
- Optional: IP 68 (NEMA 6P) for sensor for remote version.
- For information regarding applications where the device is buried directly in the soil or is installed in a flooded wastewater basin please contact your local Endress+Hauser Sales Center.

### Shock and vibration resistance

Acceleration up to 2 g following IEC 600 68-2-6

### Electromagnetic compatibility (EMC)

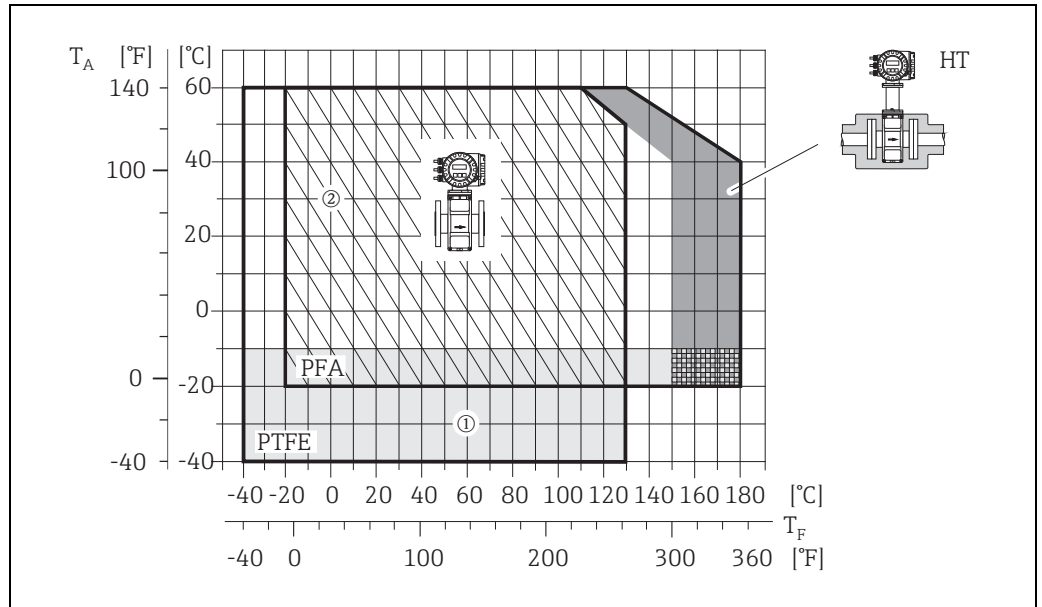
- As per IEC/EN 61326 and NAMUR recommendation NE 21.

## Process

### Medium temperature range

The permitted temperature depends on the lining of the measuring tube:

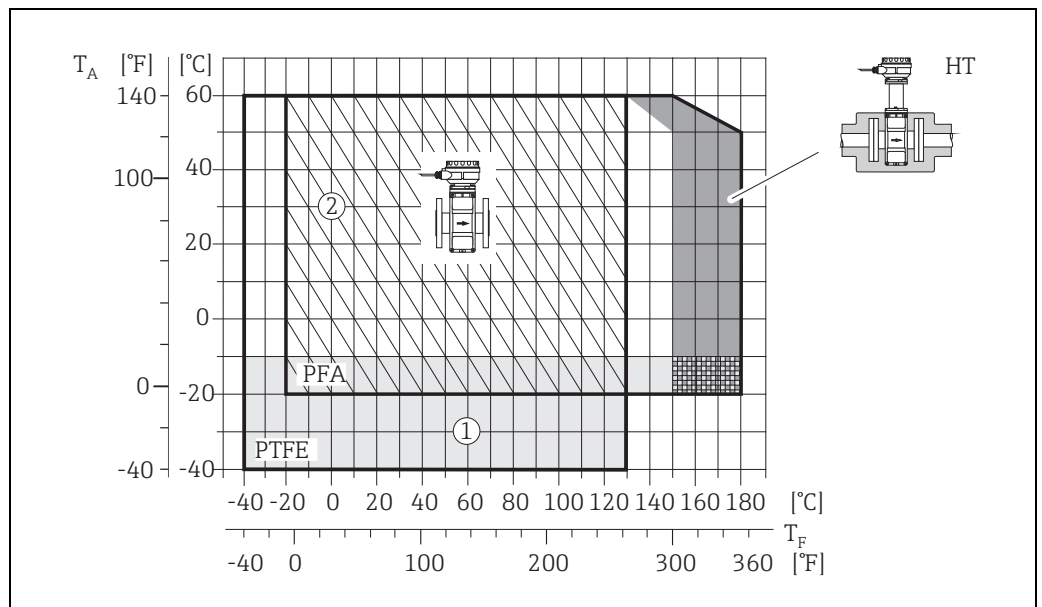
- PTFE: -40 to +130 °C (-40 to +266 °F) (DN 15 to 600 / ½ to 24"), restrictions → see diagrams
- PFA: -20 to +180 °C (-4 to +356 °F) (DN 25 to 200 / 1 to 8"), restrictions → see diagrams



Compact version (with PFA or PTFE lining)

$T_A$  = Ambient temperature,  $T_F$  = Fluid temperature, HT = High temperature version with insulation

À Gray shaded area → temperature range from -10 to -40 °C (-14 to -40 °F) applies only to stainless steel flanges  
n HE + IP 68 to 130 °C (266 °F) only



Remote version (with PFA or PTFE lining)

$T_A$  = Ambient temperature,  $T_F$  = Fluid temperature, HT = High temperature version with insulation

À Gray shaded area → temperature range from -10 to -40 °C (-14 to -40 °F) applies only to stainless steel flanges  
n HE + IP 68 to 130 °C (266 °F) only

**Conductivity**

The minimum conductivity is:

- $\geq 5 \mu\text{S/cm}$  for fluids generally
- $\geq 20 \mu\text{S/cm}$  for demineralized water



Note!

In the remote version, the necessary minimum conductivity also depends on the cable length (→ 16, Section "Length of connecting cable").

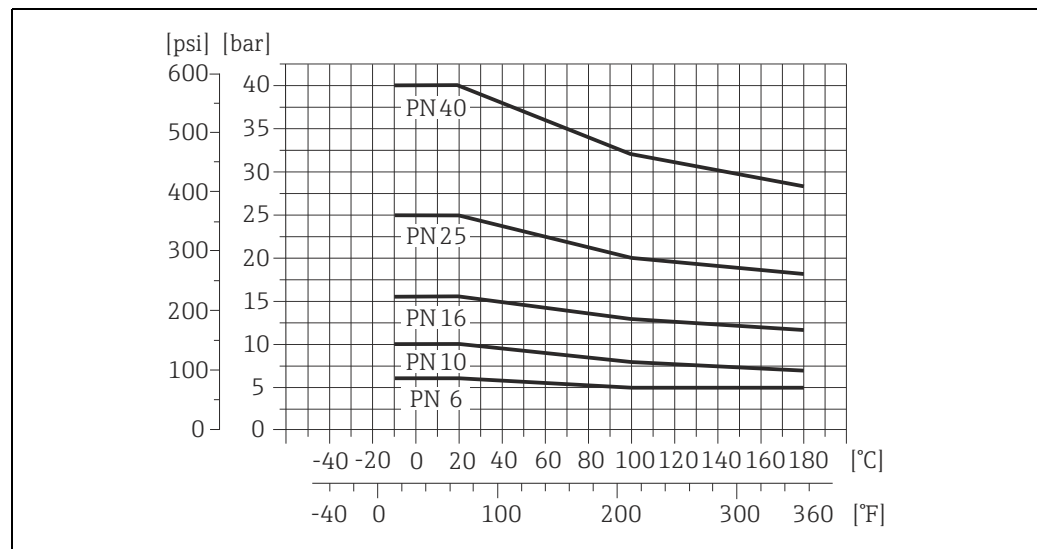
**Pressure-temperature ratings**

Note!

The following diagrams contain material load diagrams (reference curves) for flange materials with regard to the medium temperature. However, the maximum medium temperatures permitted always depend on the lining material of the sensor and/or the sealing material (→ 19).

**Flange connection to EN 1092-1 (DIN 2501)**

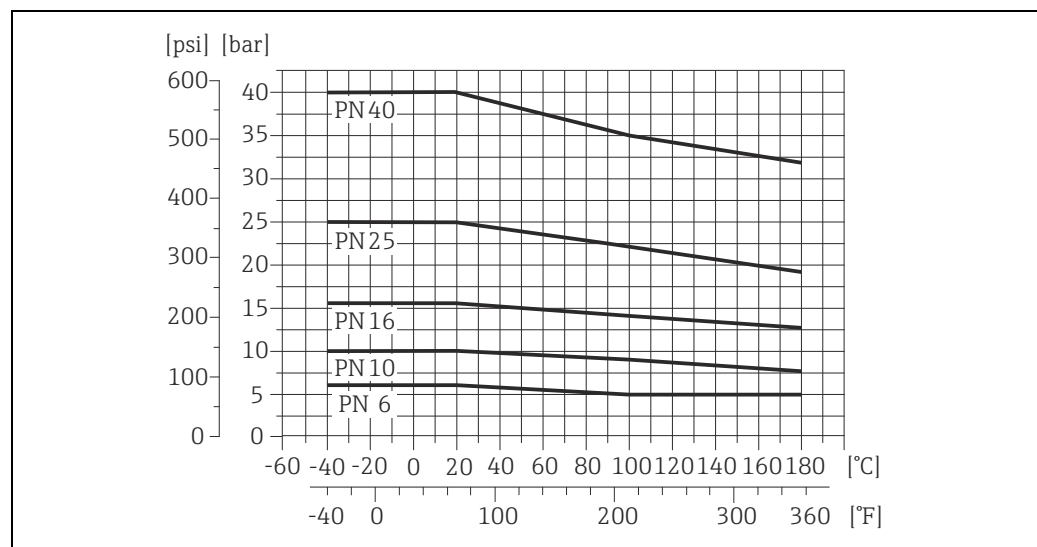
Material: S235JRG2, S235JR+N, P250GH, P245GH, E250C, A105



A0021188-EN

**Flange connection to EN 1092-1 (DIN 2501)**

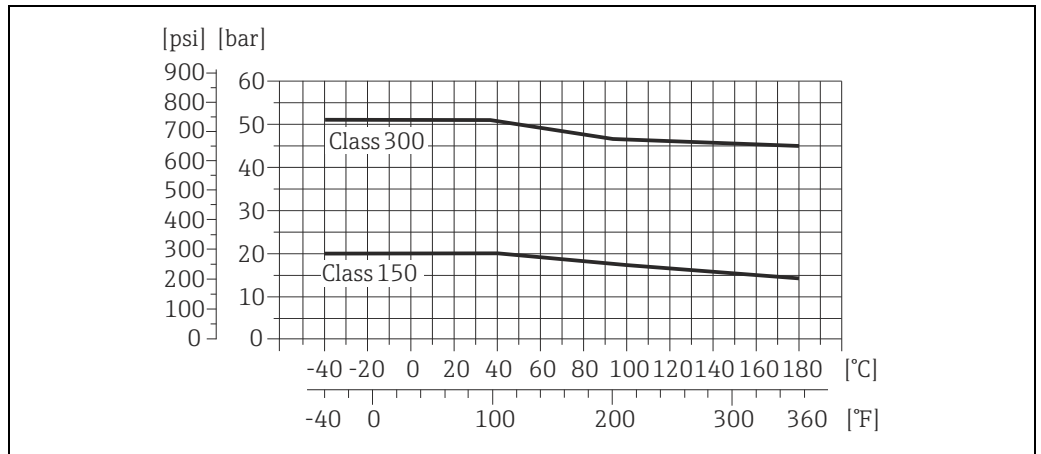
Material: 1.4571, 1.4404, F316L



A0021184-EN

**Flange connection to ASME B16.5**

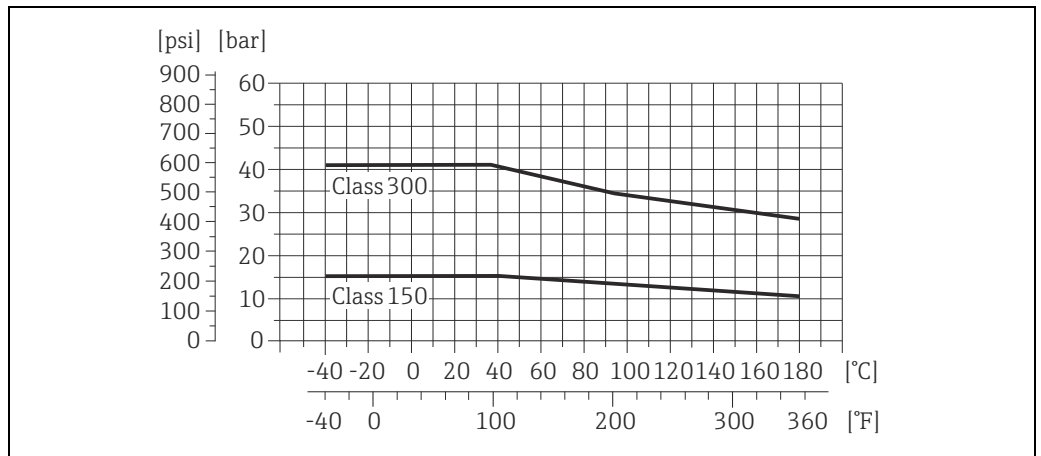
Material: A 105



A0021182-EN

**Flange connection to ASME B16.5**

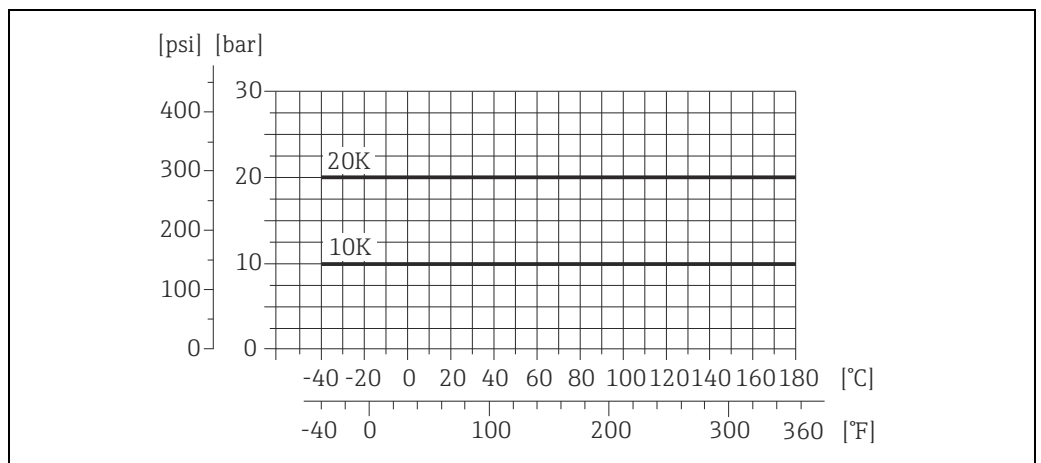
Material: F316L



A0021185-EN

**Flange connection to JIS B2220**

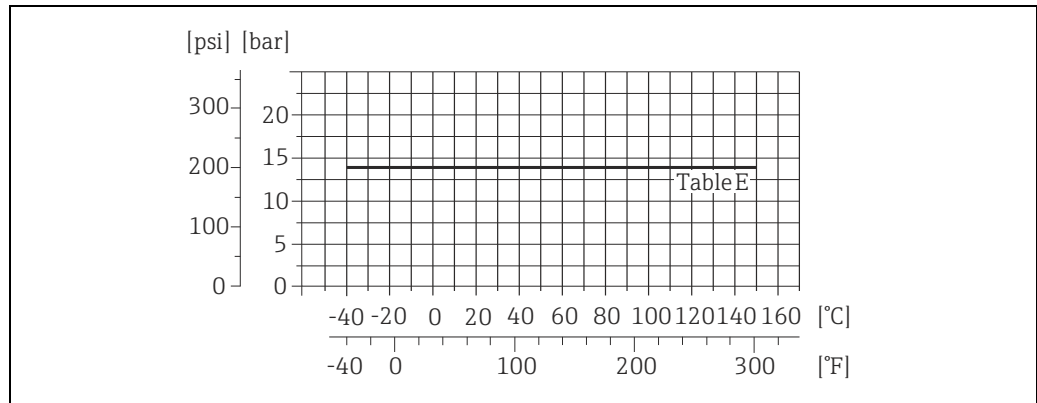
Material: A105, A350 LF2, F316L



A0021183-EN

**Flange connection to AS 2129 Table E**

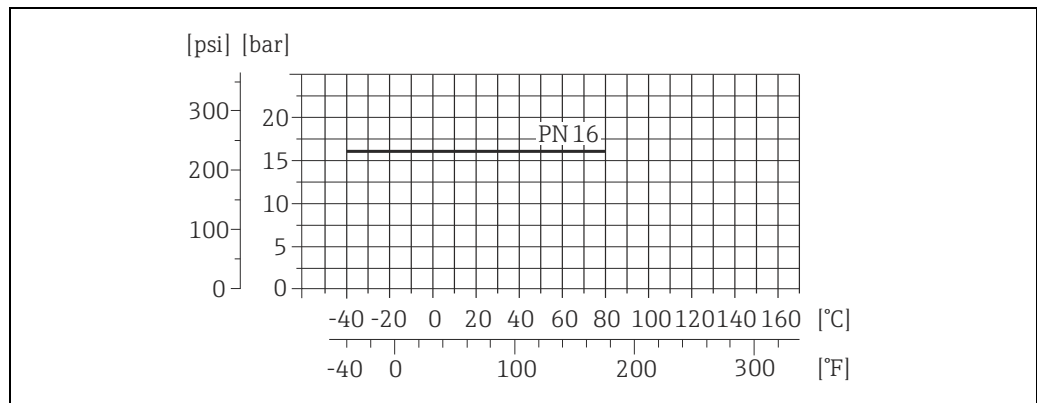
Material: A105, P235GH, P265GH, S235JRG2



A0021189-EN0

**Flange connection to AS 4087 PN 16**

Material: A105, P265GH, S275JR



A0023077-EN

**Medium pressure range  
(nominal pressure)**

- EN 1092-1 (DIN 2501)
  - PN 10 (DN 200 to 600 / 8 to 24")
  - PN 16 (DN 65 to 600 / 3 to 24")
  - PN 25 (DN 200 to 600 / 8 to 24")
  - PN 40 (DN 15 to 150 / ½ to 6")
- ASME B 16.5
  - Class 150 (DN ½ to 24")
  - Class 300 (DN ½ to 6")
- JIS B2220
  - 10K (DN 50 to 600 / 2 to 24")
  - 20K (DN 25 to 600 / 1 to 24")
- AS 2129
  - Table E (DN 25, 50 / 1", 2")
- AS 4087
  - PN 16 (DN 50 / 2")

**Pressure tightness**

Measuring tube lining: PTFE

Nominal diameter		Limit values for abs. pressure [mbar] ([psi]) at fluid temperatures:							
		25 °C (77 °F)		80 °C (176 °F)		100 °C (212 °F)		130 °C (266 °F)	
[mm]	[inch]	[mbar]	[psi]	[mbar]	[psi]	[mbar]	[psi]	[mbar]	[psi]
15	½"	0	0	0	0	0	0	100	1.45
25	1"	0	0	0	0	0	0	100	1.45

Nominal diameter		Limit values for abs. pressure [mbar] ([psi]) at fluid temperatures:							
		25 °C (77 °F)		80 °C (176 °F)		100 °C (212 °F)		130 °C (266 °F)	
[mm]	[inch]	[mbar]	[psi]	[mbar]	[psi]	[mbar]	[psi]	[mbar]	[psi]
32	-	0	0	0	0	0	0	100	1.45
40	1½"	0	0	0	0	0	0	100	1.45
50	2"	0	0	0	0	0	0	100	1.45
65	-	0	0	*	*	40	0.58	130	1.89
80	3"	0	0	*	*	40	0.58	130	1.89
100	4"	0	0	*	*	135	1.96	170	2.47
125	-	135	1.96	*	*	240	3.48	385	5.58
150	6"	135	1.96	*	*	240	3.48	385	5.58
200	8"	200	2.90	*	*	290	4.21	410	5.95
250	10"	330	4.79	*	*	400	5.80	530	7.69
300	12"	400	5.80	*	*	500	7.25	630	9.14
350	14"	470	6.82	*	*	600	8.70	730	10.6
400	16"	540	7.83	*	*	670	9.72	800	11.6
450	18"	Partial vacuum is impermissible!							
500	20"								
600	24"								

\* No value can be specified.

Measuring tube lining: PFA

Nominal diameter		Limit values for abs. pressure [mbar] ([psi]) at fluid temperatures:					
		25 °C (77 °F)		80 °C (176 °F)		100 to 180 °C (212 to 356 °F)	
[mm]	[inch]	[mbar]	[psi]	[mbar]	[psi]	[mbar]	[psi]
25	1"	0	0	0	0	0	0
32	-	0	0	0	0	0	0
40	1½"	0	0	0	0	0	0
50	2"	0	0	0	0	0	0
65	-	0	0	*	*	0	0
80	3"	0	0	*	*	0	0
100	4"	0	0	*	*	0	0
125	-	0	0	*	*	0	0
150	6"	0	0	*	*	0	0
200	8"	0	0	*	*	0	0

\* No value can be specified.

**Limiting flow**

The diameter of the pipe and the flow rate determine the nominal diameter of the sensor. The optimum flow velocity is between 2 to 3 m/s (6.5 to 9.8 ft/s). The velocity of flow (v), moreover, has to be matched to the physical properties of the fluid:

- v < 2 m/s (6.5 ft/s): for abrasive fluids such as potter's clay, lime milk, ore slurry etc.
- v > 2 m/s (6.5 ft/s): for fluids causing build-up such as wastewater sludges etc.

Flow characteristic values (SI units)					
Diameter		Recommended flow rate Min./max. full scale value (v ~ 0.3 or 10 m/s)	Factory settings		
[mm]	[inch]		Full scale value, current output (v ~ 2.5 m/s)	Pulse value (~ 2 pulses/s)	Low flow cut off (v ~ 0.04 m/s)
15	½"	4 to 100 dm <sup>3</sup> /min	25 dm <sup>3</sup> /min	0.20 dm <sup>3</sup>	0.50 dm <sup>3</sup> /min
25	1"	9 to 300 dm <sup>3</sup> /min	75 dm <sup>3</sup> /min	0.50 dm <sup>3</sup>	1.00 dm <sup>3</sup> /min
32	–	15 to 500 dm <sup>3</sup> /min	125 dm <sup>3</sup> /min	1.00 dm <sup>3</sup>	2.00 dm <sup>3</sup> /min
40	1½"	25 to 700 dm <sup>3</sup> /min	200 dm <sup>3</sup> /min	1.50 dm <sup>3</sup>	3.00 dm <sup>3</sup> /min
50	2"	35 to 1100 dm <sup>3</sup> /min	300 dm <sup>3</sup> /min	2.50 dm <sup>3</sup>	5.00 dm <sup>3</sup> /min
65	–	60 to 2000 dm <sup>3</sup> /min	500 dm <sup>3</sup> /min	5.00 dm <sup>3</sup>	8.00 dm <sup>3</sup> /min
80	3"	90 to 3000 dm <sup>3</sup> /min	750 dm <sup>3</sup> /min	5.00 dm <sup>3</sup>	12.0 dm <sup>3</sup> /min
100	4"	145 to 4700 dm <sup>3</sup> /min	1200 dm <sup>3</sup> /min	10.0 dm <sup>3</sup>	20.0 dm <sup>3</sup> /min
125	–	220 to 7500 dm <sup>3</sup> /min	1850 dm <sup>3</sup> /min	15.0 dm <sup>3</sup>	30.0 dm <sup>3</sup> /min
150	6"	20 to 600 m <sup>3</sup> /h	150 m <sup>3</sup> /h	0.03 m <sup>3</sup>	2.50 m <sup>3</sup> /h
200	8"	35 to 1100 m <sup>3</sup> /h	300 m <sup>3</sup> /h	0.05 m <sup>3</sup>	5.00 m <sup>3</sup> /h
250	10"	55 to 1700 m <sup>3</sup> /h	500 m <sup>3</sup> /h	0.05 m <sup>3</sup>	7.50 m <sup>3</sup> /h
300	12"	80 to 2400 m <sup>3</sup> /h	750 m <sup>3</sup> /h	0.10 m <sup>3</sup>	10.0 m <sup>3</sup> /h
350	14"	110 to 3300 m <sup>3</sup> /h	1000 m <sup>3</sup> /h	0.10 m <sup>3</sup>	15.0 m <sup>3</sup> /h
400	16"	140 to 4200 m <sup>3</sup> /h	1200 m <sup>3</sup> /h	0.15 m <sup>3</sup>	20.0 m <sup>3</sup> /h
450	18"	180 to 5400 m <sup>3</sup> /h	1500 m <sup>3</sup> /h	0.25 m <sup>3</sup>	25.0 m <sup>3</sup> /h
500	20"	220 to 6600 m <sup>3</sup> /h	2000 m <sup>3</sup> /h	0.25 m <sup>3</sup>	30.0 m <sup>3</sup> /h
600	24"	310 to 9600 m <sup>3</sup> /h	2500 m <sup>3</sup> /h	0.30 m <sup>3</sup>	40.0 m <sup>3</sup> /h

Flow characteristic values (US units)					
Diameter		Recommended flow rate Min./max. full scale value (v ~ 0.3 or 10 m/s)	Factory settings		
[inch]	[mm]		Full scale value, current output (v ~ 2.5 m/s)	Pulse value (~ 2 pulses/s)	Low flow cut off (v ~ 0.04 m/s)
½"	25	1.0 to 26 gal/min	6 gal/min	0.10 gal	0.15 gal/min
1"	25	2.5 to 80 gal/min	18 gal/min	0.20 gal	0.25 gal/min
1½"	40	7 to 190 gal/min	50 gal/min	0.50 gal	0.75 gal/min
2"	50	10 to 300 gal/min	75 gal/min	0.50 gal	1.25 gal/min
3"	80	24 to 800 gal/min	200 gal/min	2.00 gal	2.50 gal/min
4"	100	40 to 1250 gal/min	300 gal/min	2.00 gal	4.00 gal/min
6"	150	90 to 2650 gal/min	600 gal/min	5.00 gal	12.0 gal/min
8"	200	155 to 4850 gal/min	1200 gal/min	10.0 gal	15.0 gal/min
10"	250	250 to 7500 gal/min	1500 gal/min	15.0 gal	30.0 gal/min
12"	300	350 to 10600 gal/min	2400 gal/min	25.0 gal	45.0 gal/min
14"	350	500 to 15000 gal/min	3600 gal/min	30.0 gal	60.0 gal/min
16"	400	600 to 19000 gal/min	4800 gal/min	50.0 gal	60.0 gal/min
18"	450	800 to 24000 gal/min	6000 gal/min	50.0 gal	90.0 gal/min
20"	500	1000 to gal/min 30000	7500 gal/min	75.0 gal	120. gal/min 0
24"	600	1400 to gal/min 44000	10500 gal/min	100.0 gal	180. gal/min 0

**Pressure loss**

- No pressure loss if the sensor is installed in a pipe with the same nominal diameter.
- Pressure losses for configurations incorporating adapters according to DIN EN 545 (→ 16, Section "Adapters").

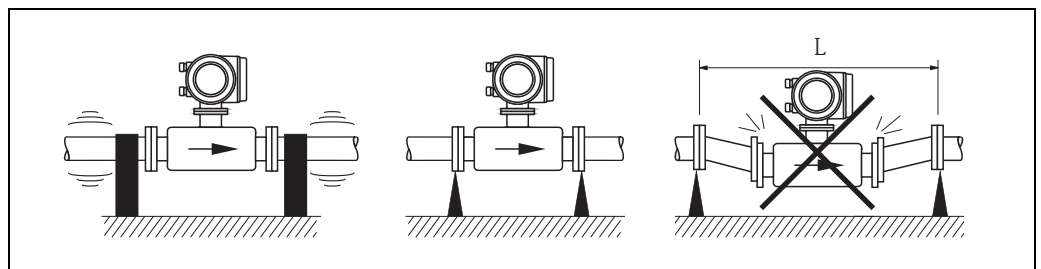
**Vibrations**



Secure the piping and the sensor if vibration is severe.

Note!

If vibrations are too severe, we recommend the sensor and transmitter be mounted separately. Information on the permitted shock and vibration resistance → 18, Section "Shock and vibration resistance".



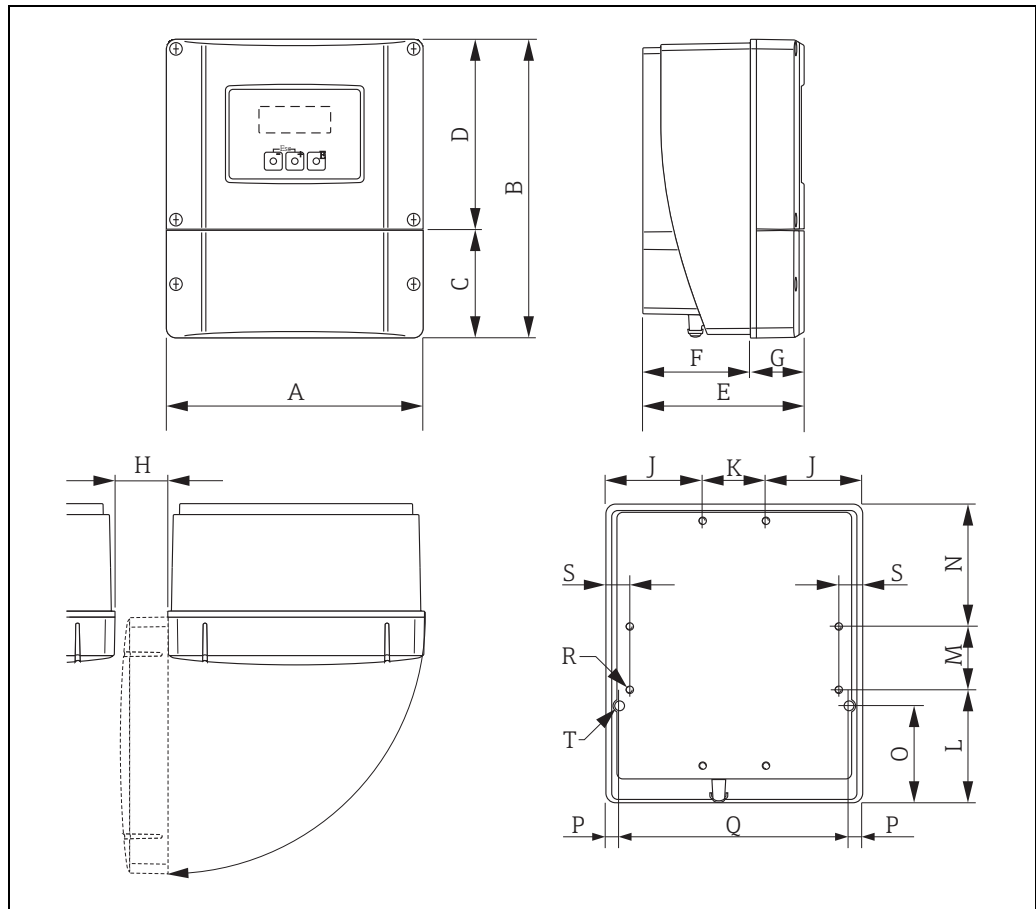
Measures to prevent vibration of the measuring device

L > 10 m (33 ft)

## Mechanical construction

### Design, dimensions

### Transmitter remote version, wall-mount housing (non Ex-zone and II3G/Zone 2)



A0001150

#### Dimensions (SI units)

A	B	C	D	E	F	G	H	J
215	250	90.5	159.5	135	90	45	> 50	81
K	L	M	N	O	P	Q	R	S
53	95	53	102	81.5	11.5	192	8 × M5	20

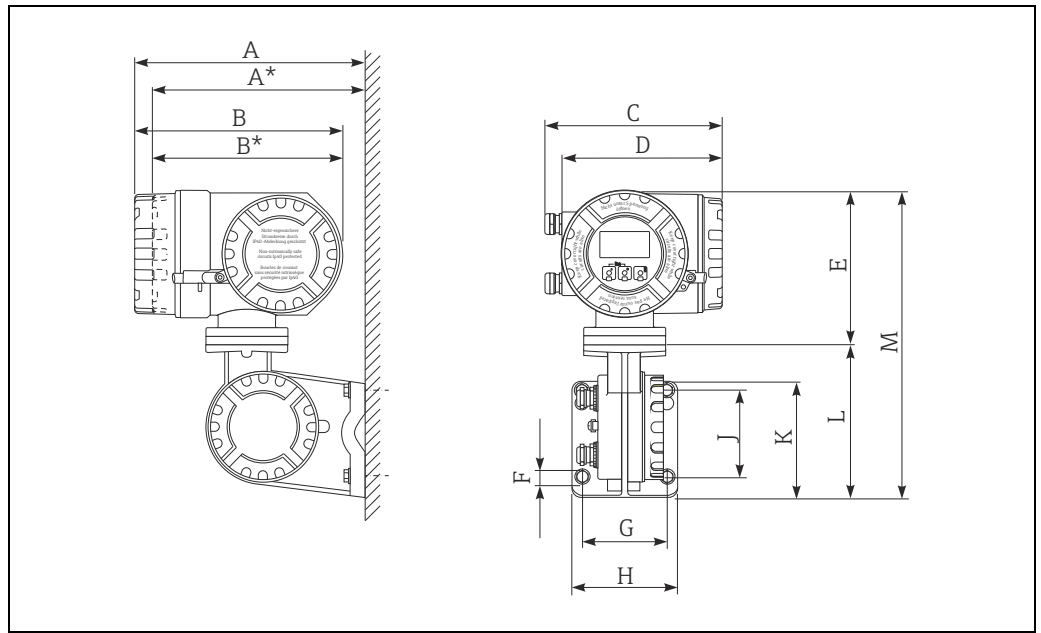
All dimensions in [mm]

#### Dimensions (US units)

A	B	C	D	E	F	G	H	J
8.46	9.84	3.56	6.27	5.31	3.54	1.77	> 1.97	3.18
K	L	M	N	O	P	Q	R	S
2.08	3.74	2.08	4.01	3.20	0.45	7.55	8 × M5	0.79

All dimensions in [inch]

Transmitter remote version, connection housing (II2GD/Zone 1)



A0002128

Dimensions (SI units)

A	A*	B	B*	C	D	E	Ø F	G	H	J	K	L	M
265	242	240	217	206	186	178	8.6 (M8)	100	130	100	144	170	355

All dimensions in [mm]

Dimensions (US units)

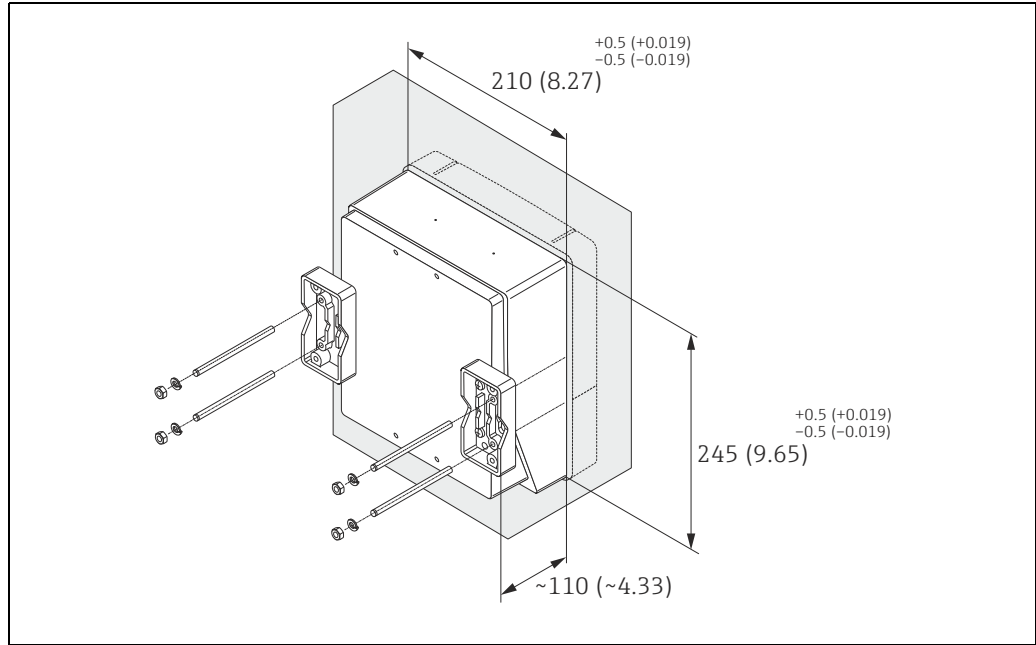
A	A*	B	B*	C	D	E	Ø F	G	H	J	K	L	M
10.4	9.53	9.45	8.54	8.11	7.32	7.01	0.34 (M8)	3.94	5.12	3.94	5.67	6.69	14.0

All dimensions in [inch]

There is a separate mounting kit for the wall-mounted housing. It can be ordered from Endress+Hauser as an accessory. The following installation variants are possible:

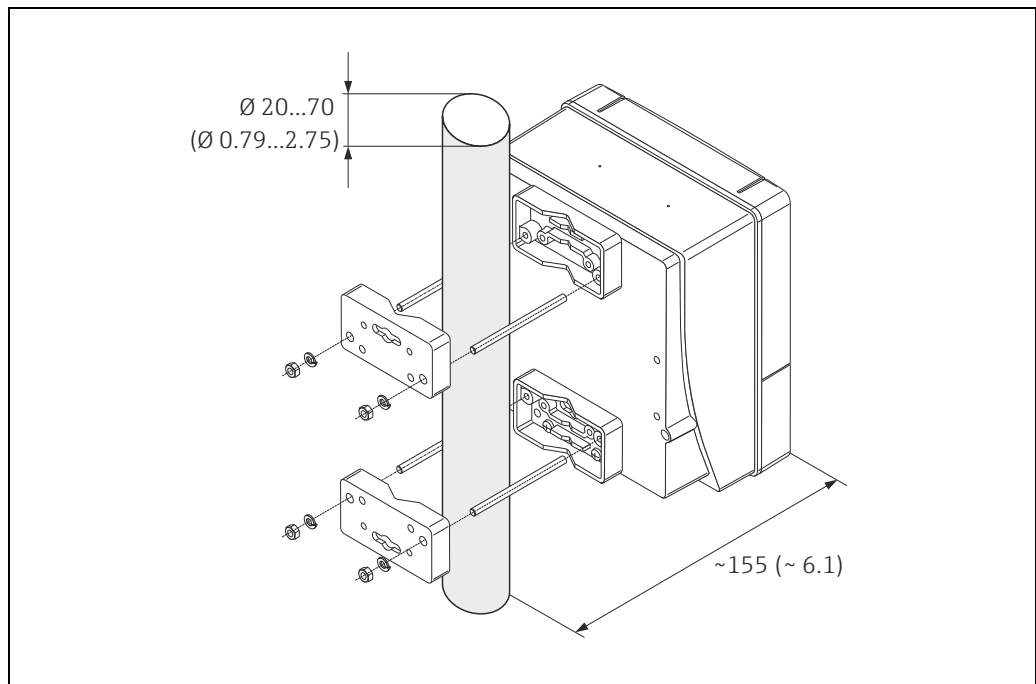
- Panel-mounted installation
- Pipe mounting

#### Installation in control panel



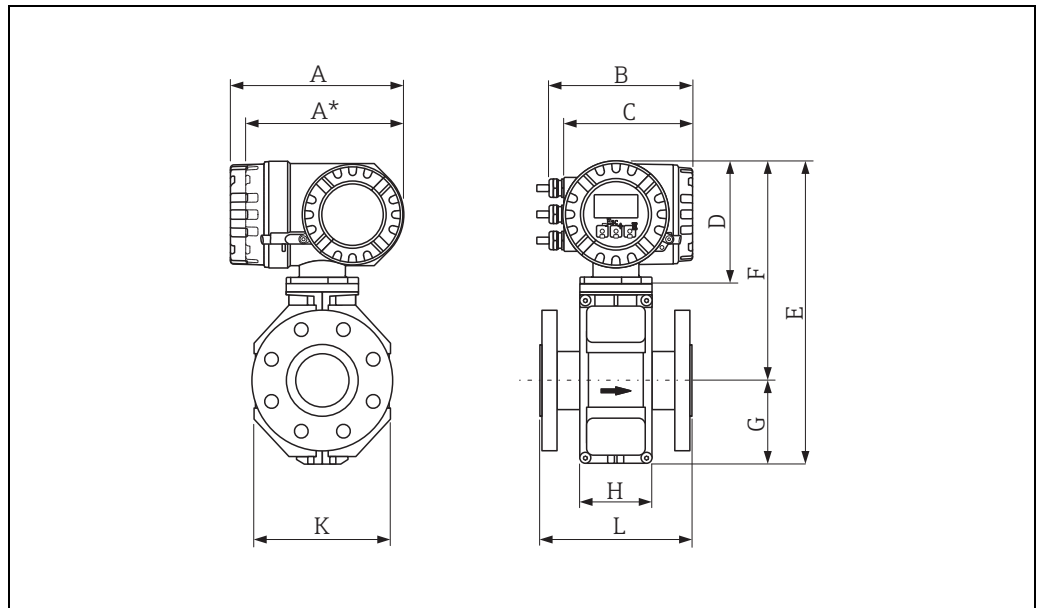
Engineering unit mm (in)

#### Pipe mounting



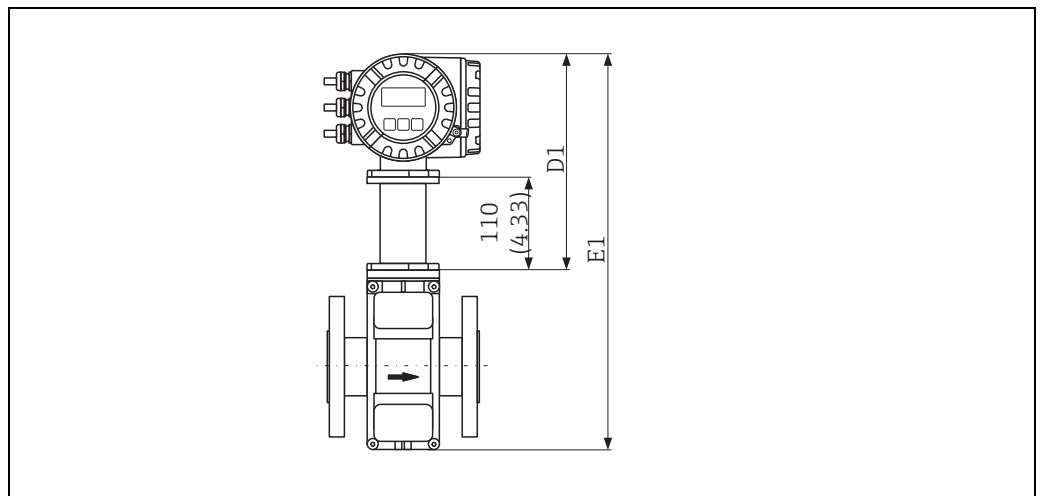
Engineering unit mm (in)

Compact version DN ≤ 300 (12")



A0005423

High temperature version DN ≤ 300 (12")



A0005529

Measurement D1, E1 = Measurement D, E of the standard compact version plus 110 mm (4.33"). Engineering unit mm (in)

*Dimensions (SI units)*

DN EN (DIN) / JIS / AS <sup>2)</sup>	L <sup>1)</sup>	A	A*	B	C	D	E	F	G	H	K
15	200	227	207	187	168	160	341	257	84	94	120
25	200						341	257	84	94	120
32	200						341	257	84	94	120
40	200						341	257	84	94	120
50	200						341	257	84	94	120
65	200						391	282	109	94	180
80	200						391	282	109	94	180
100	250						391	282	109	94	180
125	250						472	322	150	140	260
150	300						472	322	150	140	260
200	350						527	347	180	156	324
250	450						577	372	205	166	400
300	500						627	397	230	166	460

<sup>1)</sup> The length is regardless of the pressure rating selected. Fitting length to DVGW.

<sup>2)</sup> Only DN 25 and DN 50 are available for flanges according to AS.

All dimensions in [mm]

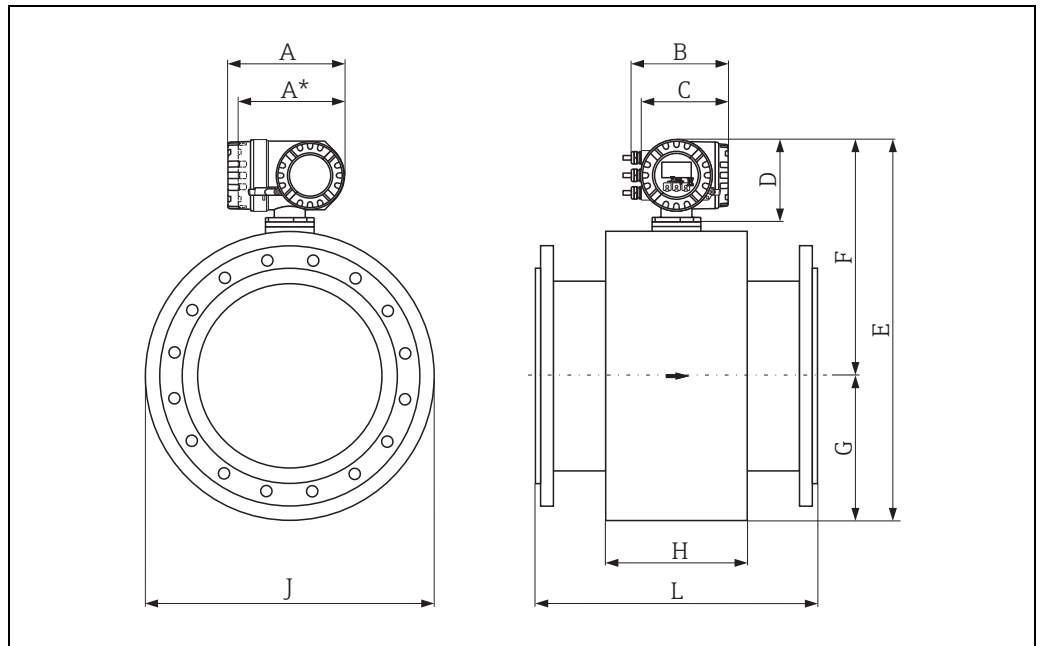
*Dimensions (US units)*

DN ASME	L <sup>1)</sup>	A	A*	B	C	D	E	F	G	H	K
½"	7.87	8.94	8.15	7.36	6.61	6.30	13.4	10.1	3.31	3.70	4.72
1"	7.87						13.4	10.1	3.31	3.70	4.72
1½"	7.87						13.4	10.1	3.31	3.70	4.72
2"	7.87						13.4	10.1	3.31	3.70	4.72
3"	7.87						15.4	11.1	4.29	3.70	7.09
4"	9.84						15.4	11.1	4.29	3.70	7.09
6"	11.8						18.6	12.7	5.91	5.51	10.2
8"	13.8						20.8	13.7	7.09	6.14	12.8
10"	17.7						22.7	14.7	8.07	6.54	15.8
12"	19.7						24.7	15.6	9.06	6.54	18.1

<sup>1)</sup> The length is regardless of the pressure rating selected. Fitting length to DVGW.

All dimensions in [inch]

Compact version DN ≥ 350 (14")



A0005424

Dimensions (SI units)

DN EN (DIN)	L <sup>1)</sup>	A	A*	B	C	D	E	F	G	H	J
350	550	227	207	187	168	160	738.5	456.5	282.0	564	276
400	600						790.5	482.5	308.0	616	276
450	650						840.5	507.5	333.0	666	292
500	650						891.5	533.0	358.5	717	292
600	780						995.5	585.0	410.5	821	402

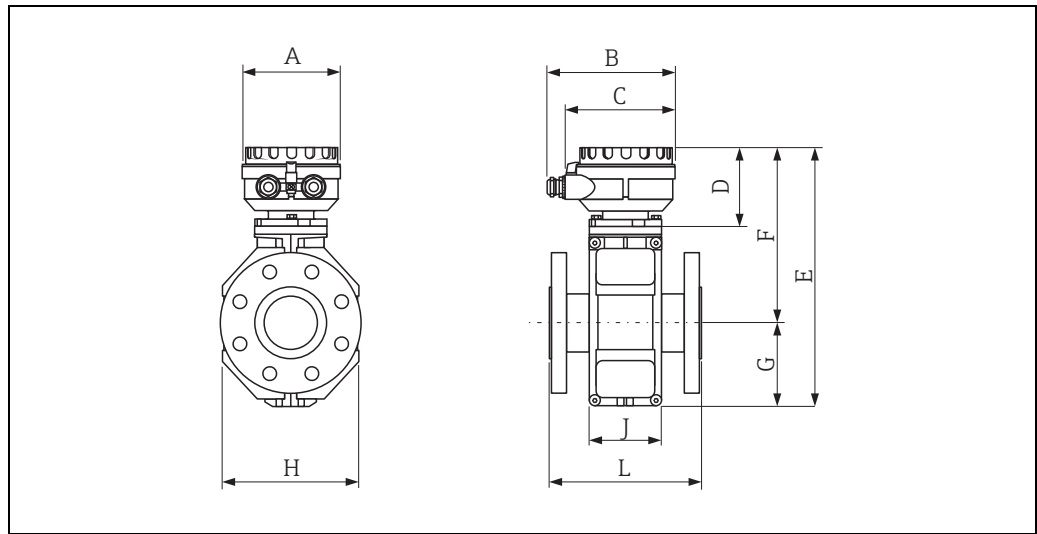
<sup>1)</sup> The length is regardless of the pressure rating selected. Fitting length to DVGW.  
All dimensions in [mm]

Dimensions (US units)

DN ASME	L <sup>1)</sup>	A	A*	B	C	D	E	F	G	H	J
14"	21.7	8.94	8.15	7.36	6.61	6.30	29.1	18.0	11.1	22.2	10.9
16"	23.6						31.1	19.0	12.1	24.3	10.9
18"	25.6						33.1	20.0	13.1	26.2	11.5
20"	25.6						35.1	21.0	14.1	28.2	11.5
24"	30.7						39.2	23.0	16.2	32.3	15.8

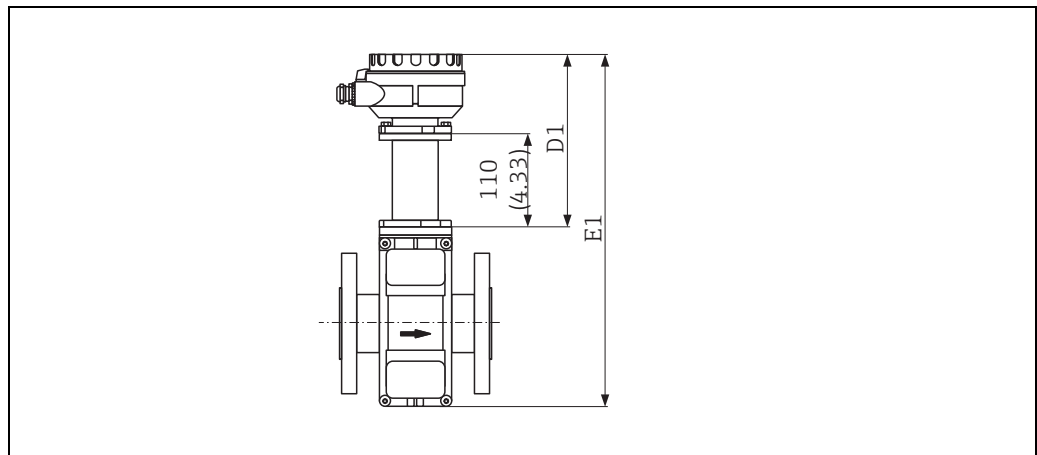
<sup>1)</sup> The length is regardless of the pressure rating selected. Fitting length to DVGW.  
All dimensions in [inch]

Sensor, remote version DN ≤ 300 (12")



A0012462

High temperature version DN ≤ 300 (12")



A0005570

Measurement D1, E1 = Measurement D, E of the standard remote version plus 110 mm (4.33"). Engineering unit mm (in)

Dimensions (SI units)

DN EN (DIN) / JIS / AS <sup>2)</sup>	L <sup>1)</sup>	A	B	C	D	E	F	G	H	J
15	200	129	163	143	102	286	202	84	120	94
25	200					286	202	84	120	94
32	200					286	202	84	120	94
40	200					286	202	84	120	94
50	200					286	202	84	120	94
65	200					336	227	109	180	94
80	200					336	227	109	180	94
100	250					336	227	109	180	94
125	250					417	267	150	260	140
150	300					417	267	150	260	140
200	350					472	292	180	324	156
250	450					522	317	205	400	166
300	500					572	342	230	460	166

<sup>1)</sup> The length is regardless of the pressure rating selected. Fitting length to DVGW.

<sup>2)</sup> Only DN 25 and DN 50 are available for flanges according to AS.

All dimensions in [mm]

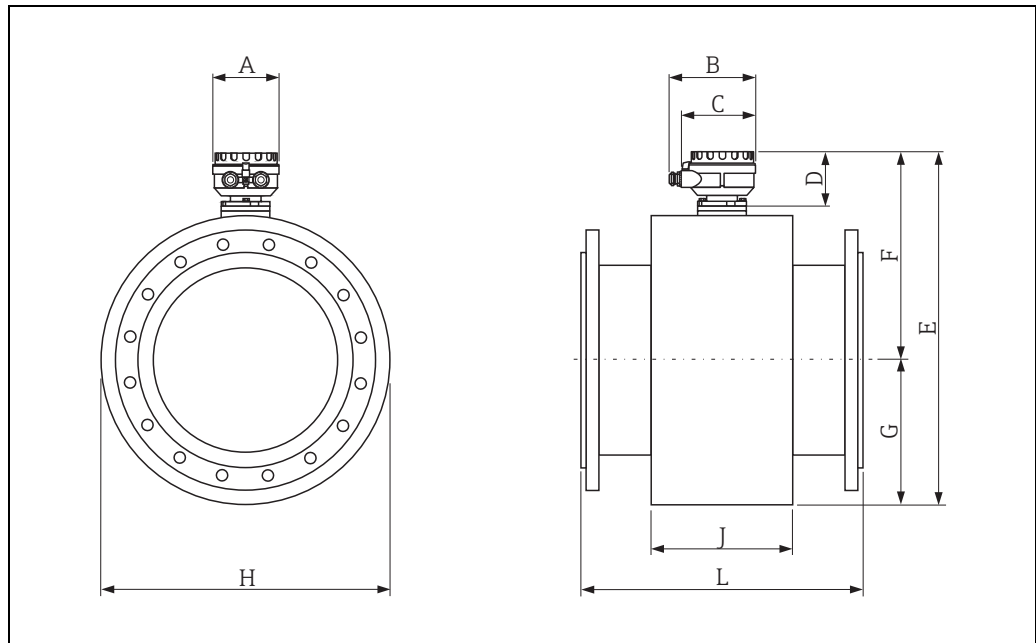
Dimensions (US units)

DN ASME	L <sup>1)</sup>	A	B	C	D	E	F	G	H	J
½"	7.87	5.08	6.42	5.63	4.02	11.3	7.95	3.31	4.72	3.70
1"	7.87					11.3	7.95	3.31	4.72	3.70
1½"	7.87					11.3	7.95	3.31	4.72	3.70
2"	7.87					11.3	7.95	3.31	4.72	3.70
3"	7.87					13.2	8.94	4.29	7.09	3.70
4"	9.84					13.2	8.94	4.29	7.09	3.70
6"	11.8					16.4	10.5	5.91	10.2	5.51
8"	13.8					18.6	11.5	7.08	12.8	6.14
10"	17.7					20.6	12.5	8.07	15.8	6.54
12"	19.7					22.5	13.5	9.06	18.1	6.54

<sup>1)</sup> The length is regardless of the pressure rating selected. Fitting length to DVGW.

All dimensions in [inch]

## Sensor, remote version DN ≥ 350 (14")



A0003220

## Dimensions (SI units)

DN EN (DIN)	L <sup>1)</sup>	A	B	C	D	E	F	G	H	J
350	550	129	163	143	102	683.5	401.5	282.0	564	276
400	600					735.5	427.5	308.0	616	276
450	650					785.5	452.5	333.0	666	292
500	650					836.5	478.0	358.5	717	292
600	780					940.5	530.0	410.5	821	402

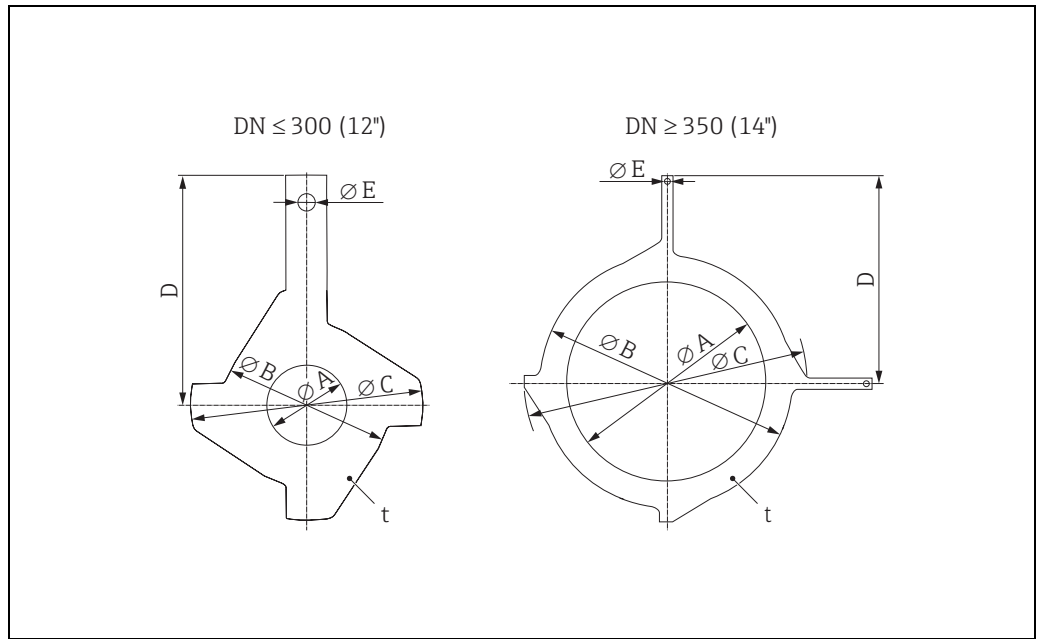
<sup>1)</sup> The length is regardless of the pressure rating selected. Fitting length to DVGW.  
All dimensions in [mm]

## Dimensions (US units)

DN ASME	L <sup>1)</sup>	A	B	C	D	E	F	G	H	J
14"	21.7	5.08	6.42	5.63	4.02	26.9	15.8	11.1	22.2	10.9
16"	23.6					29.0	16.8	12.1	24.3	10.9
18"	25.6					30.9	17.8	13.1	26.2	11.5
20"	25.6					32.9	18.8	14.1	28.2	11.5
24"	30.7					37.0	20.9	16.2	32.3	15.8

<sup>1)</sup> The length is regardless of the pressure rating selected. Fitting length to DVGW.  
All dimensions in [inch]

Ground disk for flange connections



A0003221

Dimensions (SI units)

DN <sup>1)</sup> EN (DIN) / JIS / AS <sup>2)</sup>	A PTFE, PFA	B	C	D	E	t
15	16	43	61.5	73	6.5	2
25	26	62	77.5	87.5		
32	35	80	87.5	94.5		
40	41	82	101	103		
50	52	101	115.5	108		
65	68	121	131.5	118		
80	80	131	154.5	135		
100	104	156	186.5	153		
125	130	187	206.5	160		
150	158	217	256	184		
200	206	267	288	205		
250	260	328	359	240		
300 <sup>3)</sup>	312	375	413	273		
300 <sup>4)</sup>	310	375	404	268		
350 <sup>3)</sup>	343	433	479	365	9.0	
400 <sup>3)</sup>	393	480	542	395		
450 <sup>3)</sup>	439	538	583	417		
500 <sup>3)</sup>	493	592	650	460		
600 <sup>3)</sup>	593	693	766	522		

<sup>1)</sup> Ground disks at DN 15 to 250 (½ to 10") can be used for all flange standards/pressure ratings.

<sup>2)</sup> Only DN 25 and DN 50 are available for flanges according to AS.

<sup>3)</sup> PN 10/16

<sup>4)</sup> PN 25, JIS 10K/20K

All dimensions in [mm]

## Dimensions (US units)

DN <sup>1)</sup> ASME	A PTFE, PFA	B	C	D	E	t
½"	0.63	1.69	2.42	2.87	0.26	0.08
1"	1.02	2.44	3.05	3.44		
1½"	1.61	3.23	3.98	4.06		
2"	2.05	3.98	4.55	4.25		
3"	3.15	5.16	6.08	5.31		
4"	4.09	6.14	7.34	6.02		
6"	6.22	8.54	10.08	7.24		
8"	8.11	10.5	11.3	8.07		
10"	10.2	12.9	14.1	9.45		
12"	12.3	14.8	16.3	10.8		
14"	13.5	17.1	18.9	14.4	0.35	
16"	15.45	18.9	21.3	15.6		
18"	17.3	21.2	23.0	16.4		
20"	19.4	23.3	25.6	18.1		
24"	23.4	27.3	30.1	20.6		

<sup>1)</sup> Ground disks can be used for all flange standards/pressure ratings.  
All dimensions in [inch]

## Weight

## Weight in SI units

Nominal diameter		Compact version			Remote version (without cable)			Transmitter Wall-mount housing		
[mm]	[inch]	EN (DIN) / AS <sup>1)</sup>	JIS	ASME	EN (DIN) / AS <sup>1)</sup>	Sensor JIS	ASME			
15	½"	PN 40	6.5	6.5	6.5	PN 40	4.5	4.5	6.0	
25	1"		7.3	7.3	7.3		5.3	5.3		
32	-		8.0	7.3	-		6.0	5.3		-
40	1½"		9.4	8.3	9.4		7.4	6.3		7.4
50	2"	10.6	9.3	10.6	8.6	7.3	8.6			
65	-	12.0	11.1	-	10.0	9.1	-			
80	3"	14.0	12.5	14.0	12.0	10.5	12.0			
100	4"	16.0	14.7	16.0	14.0	12.7	14.0			
125	-	21.5	21.0	-	19.5	19.0	-			
150	6"	25.5	24.5	25.5	23.5	22.5	23.5			
200	8"	45	41.9	45	43	39.9	43			
250	10"	65	69.4	75	63	67.4	73			
300	12"	70	72.3	110	68	70.3	108			
350	14"	115	81.0	175	113	79.0	173			
400	16"	135	102	205	133	100	203			
450	18"	175	130	255	173	128	253			
500	20"	175	144	285	173	142	283			
600	24"	235	190	405	233	188	403			

<sup>1)</sup> For flanges to AS, only DN 25 and 50 are available.

- Transmitter (compact version): 3.4 kg, high temperature version: +1.5 kg
- Weight data valid for standard pressure ratings and without packaging material.

Weight in US units (only ASME)

Nominal diameter		Compact version		Remote version (without cable)		
[mm]	[inch]	ASME		Sensor	Transmitter	
		ASME		ASME	Wall-mount housing	
15	½"	Class 150	14.3	Class 150	9.92	13.2
25	1"		16.1		11.7	
40	1½"		20.7		16.3	
50	2"		23.4		19.0	
80	3"		30.9		26.5	
100	4"		35.3		30.9	
150	6"		56.2		51.8	
200	8"		99.2		94.8	
250	10"		165.4		161.0	
300	12"		242.6		238.1	
350	14"		385.9		381.5	
400	16"		452.0		447.6	
450	18"		562.3		557.9	
500	20"		628.4		624.0	
600	24"		893.0		888.6	

■ Transmitter (compact version): 7.50 lbs, high temperature version: +3.31 lbs  
 ■ Weight data valid for standard pressure ratings and without packaging material.

Measuring tube specifications

Diameter		Pressure rating					Internal diameter			
[mm]	[inch]	EN (DIN)	AS 2129	AS 4087	ASME	JIS	PFA		PTFE	
		[bar]			[lbs]		[mm]	[inch]	[mm]	[inch]
15	½"	PN 40	-	-	Cl.150	20K	-	-	15	0.59
25	1"	PN 40	Table E	-	Cl.150	20K	23	0.91	26	1.02
32	-	PN 40	-	-	-	20K	32	1.26	35	1.38
40	1½"	PN 40	-	-	Cl.150	20K	36	1.42	41	1.61
50	2"	PN 40	Table E	PN 16	Cl.150	10K	48	1.89	52	2.05
65	-	PN 16	-	-	-	10K	63	2.48	67	2.64
80	3"	PN 16	-	-	Cl.150	10K	75	2.95	80	3.15
100	4"	PN 16	-	-	Cl.150	10K	101	3.98	104	4.09
125	-	PN 16	-	-	-	10K	126	4.96	129	5.08
150	6"	PN 16	-	-	Cl.150	10K	154	6.06	156	6.14
200	8"	PN 10	-	-	Cl.150	10K	201	7.91	202	7.95
250	10"	PN 10	-	-	Cl.150	10K	-	-	256	10.1
300	12"	PN 10	-	-	Cl.150	10K	-	-	306	12.0
350	14"	PN 10	-	-	Cl.150	10 K	-	-	337	13.3
400	16"	PN 10	-	-	Cl.150	10 K	-	-	387	15.2
450	18"	PN 10	-	-	Cl.150	10 K	-	-	432	17.0
500	20"	PN 10	-	-	Cl.150	10 K	-	-	487	19.2
600	24"	PN 10	-	-	Cl.150	10 K	-	23	593	23.3

<b>Material</b>	<ul style="list-style-type: none"> <li>■ Transmitter housing <ul style="list-style-type: none"> <li>- Compact housing: powder-coated die-cast aluminum</li> <li>- Wall-mount housing: powder-coated die-cast aluminum</li> </ul> </li> <li>■ Sensor housing <ul style="list-style-type: none"> <li>- DN 25 to 300 (1 to 12"): powder-coated die-cast aluminum</li> <li>- DN 350 to 600 (14 to 24"): with protective lacquering</li> </ul> </li> <li>■ Measuring tube <ul style="list-style-type: none"> <li>- DN ≤ 300 (12"): stainless steel 1.4301 or 1.4306 (304L); (for flanges made of carbon steel with Al/Zn protective coating)</li> <li>- DN ≥ 350 (14"): stainless steel 1.4301 or 1.4306 (304L); (for flanges made of carbon steel with protective lacquering)</li> </ul> </li> <li>■ Electrodes: 1.4435, Platinum, Alloy C-22, Tantalum, Titanium</li> <li>■ Flange <ul style="list-style-type: none"> <li>- EN 1092-1 (DIN2501): <ul style="list-style-type: none"> <li>- Stainless-steel, 1.4571, F316L</li> <li>- Carbon steel, S235JRG2, S235JR+N, P250GH, P245GH, E250C, A105</li> </ul> </li> <li>- ASME B16.5: A105, F316L (DN ≤ 300 with Al/Zn protective coating; DN ≥ 350 with protective lacquering)</li> <li>- JIS B2220: <ul style="list-style-type: none"> <li>- Stainless-steel, F316L</li> <li>- Carbon steel, A105, A350 LF2</li> </ul> </li> <li>- AS 2129 Carbon steel, A105, P235GH, P265GH, S235JRG2</li> <li>- AS 4087: Carbon steel, A105, P265GH, S275JR</li> </ul> </li> <li>■ Seals: to DIN EN 1514-1 form IBC</li> <li>■ Ground disks: 1.4435 (316, 316L) or Alloy C22</li> </ul>
<b>Fitted electrodes</b>	<p>Measuring electrodes, reference electrodes and empty pipe detection electrodes:</p> <ul style="list-style-type: none"> <li>■ Standard available with 1.4435, Alloy C-22, tantalum, platinum/rhodium 80/20, titanium</li> <li>■ Optional: measuring electrodes made of platinum/rhodium 80/20</li> </ul>
<b>Process connections</b>	<p>Flange connection:</p> <ul style="list-style-type: none"> <li>■ EN 1092-1 (DIN 2501), DN ≤ 300 (12") form A, DN ≥ 350 (14") form B (Dimensions to DIN 2501, DN 65 PN 16 and DN 600 (24") PN 16 exclusively to EN 1092-1)</li> <li>■ ASME B16.5</li> <li>■ JIS B2220</li> <li>■ AS 2129 Table E</li> <li>■ AS 4087 PN 16</li> </ul>
<b>Surface roughness</b>	<ul style="list-style-type: none"> <li>■ PFA liner: ≤ 0.4 μm (15.7 μin)</li> <li>■ Electrodes <ul style="list-style-type: none"> <li>- 1.4435, Alloy C-22, titanium: ≤ 0.3 to 0.5 μm (≤ 11.8 to 19.7 μin)</li> <li>- Tantal, Platin/Rhodium: ≤ 0.3 to 0.5 μm (≤ 11.8 to 19.7 μin)</li> </ul> </li> </ul> <p>(All data refer to parts in contact with medium)</p>

## Operability

---

### Local operation

#### Display elements

- Liquid crystal display: backlit, two lines (Promag 50) or four lines (Promag 53) with 16 characters per line
- Custom configurations for presenting different measured-value and status variables
- Totalizer
  - Promag 50: 2 totalizers
  - Promag 53: 3 totalizers

#### Operating elements

Unified operation concept for both types of transmitter:

Promag 50:

- Local operation via three keys (S, O, F)
- Quick Setup menus for straightforward commissioning

Promag 53:

- Local operation via three keys (S, O, F)
- Application-specific Quick Setup menus for straightforward commissioning

---

### Language groups

Language groups available for operation in different countries:

Promag 50, Promag 53:

- Western Europe and America (WEA):  
English, German, Spanish, Italian, French, Dutch, Portuguese
- Eastern Europe and Scandinavia (EES):  
English, Russian, Polish, Norwegian, Finnish, Swedish, Czech
- South and east Asia (SEA):  
English, Japanese, Indonesian

Promag 53:

- China (CN):  
English, Chinese

You can change the language group via the operating program "FieldCare".

---

### Remote operation

- Promag 50: Remote control via HART, PROFIBUS DP/PA
- Promag 53: Remote control via HART, PROFIBUS DP/PA, Modbus RS485, FOUNDATION Fieldbus

## Certificates and approvals

<b>CE mark</b>	The measuring system is in conformity with the statutory requirements of the EC Directives. Endress+Hauser confirms successful testing of the device by affixing to it the CE mark.
<b>C-tick symbol</b>	The measuring system meets the EMC requirements of the "Australian Communications and Media Authority (ACMA)".
<b>Pressure measuring device approval</b>	Measuring devices with a nominal diameter smaller than or equal to DN 25 correspond to Article 4 (3) of the EC Directive 2014/68/EU (Pressure Equipment Directive) and have been designed and manufactured according to good engineering practice. Where necessary (depending on the medium and process pressure), there are additional optional approvals to Category II/III for larger nominal diameters.
<b>Ex approval</b>	Information about currently available Ex versions (ATEX, IECEx, FM, CSA, NEPSI) can be supplied by your Endress+Hauser Sales Center on request. All explosion protection data are given in a separate documentation which is available upon request.
<b>Other standards and guidelines</b>	<ul style="list-style-type: none"> <li>■ EN 60529 Degrees of protection by housing (IP code)</li> <li>■ EN 61010 Protection Measures for Electrical Equipment for Measurement, Control, Regulation and Laboratory Procedures.</li> <li>■ IEC/EN 61326 "Emission in accordance with requirements for Class A". Electromagnetic compatibility (EMC requirements)</li> <li>■ NAMUR NE 21: Electromagnetic compatibility (EMC) of industrial process and laboratory control equipment.</li> <li>■ NAMUR NE 43: Standardization of the signal level for the breakdown information of digital transmitters with analog output signal.</li> <li>■ NAMUR NE 53: Software of field devices and signal-processing devices with digital electronics.</li> <li>■ ANSI/ISA-S82.01 Safety Standard for Electrical and Electronic Test, Measuring, Controlling and related Equipment - General Requirements Pollution degree 2, Installation Category II.</li> <li>■ CAN/CSA-C22.2 No. 1010.1-92 Safety requirements for Electrical Equipment for Measurement and Control and Laboratory Use. Pollution degree 2, Installation Category II</li> </ul>
<b>FOUNDATION Fieldbus certification</b>	<p>The flow device has successfully passed all the test procedures carried out and is certified and registered by the Fieldbus Foundation. The device thus meets all the requirements of the following specifications:</p> <ul style="list-style-type: none"> <li>■ Certified to FOUNDATION Fieldbus Specification</li> <li>■ The device meets all the specifications of the FOUNDATION Fieldbus H1.</li> <li>■ Interoperability Test Kit (ITK), revision status 5.01 (device certification number: on request)</li> <li>■ The device can also be operated with certified devices of other manufacturers</li> <li>■ Physical Layer Conformance Test of the Fieldbus Foundation</li> </ul>
<b>Modbus RS485 certification</b>	The measuring device meets all the requirements of the Modbus/TCP conformity test and has the "Modbus/TCP Conformance Test Policy, Version 2.0". The measuring device has successfully passed all the test procedures carried out and is certified by the "Modbus/TCP Conformance Test Laboratory" of the University of Michigan.
<b>PROFIBUS DP/PA certification</b>	<p>The flow device has successfully passed all the test procedures carried out and is certified and registered by the PNO (PROFIBUS User Organisation). The device thus meets all the requirements of the following specifications:</p> <ul style="list-style-type: none"> <li>■ Certified to PROFIBUS PA, profile version 3.0 (device certification number: on request)</li> <li>■ The device can also be operated with certified devices of other manufacturers (interoperability)</li> </ul>

## Ordering information

Your Endress+Hauser service organization can provide detailed ordering information and information on the order codes on request.

## Accessories

Various accessories, which can be ordered separately from Endress+Hauser, are available for the transmitter and the sensor. Your Endress+Hauser service organization can provide detailed information on the order codes in question.

## Documentation

- Flow Measurement (FA005D/06)
- Operating Instructions Promag Promag 50 (BA046D/06 and BA049D/06)
- Operating Instructions Promag Promag 50 PROFIBUS PA (BA055D/06 and BA056D/06)
- Operating Instructions Promag Promag 53 (BA047D/06 and BA048D/06)
- Operating Instructions Promag Promag 53 FOUNDATION Fieldbus (BA051D/06 and BA052D/06)
- Operating Instructions Promag Promag 53 Modbus RS485 (BA117D/06 and BA118D/06)
- Operating Instructions Promag Promag 53 PROFIBUS DP/PA (BA053D/06 and BA054D/06)
- Supplementary documentation on Ex-ratings: ATEX, IECEx, FM, CSA, NEPSI

## Registered trademarks

HART®

Registered trademark of the HART Communication Foundation, Austin, USA

PROFIBUS®

Registered trademark of the PROFIBUS Nutzerorganisation e.V., Karlsruhe, D

FOUNDATION™ Fieldbus

Registered trademark of the Fieldbus Foundation, Austin, USA

Modbus®

Registered trademark of the Modbus Organisation

HistoROM™, S-DAT®, T-DAT™, F-CHIP®, FieldCare®, Fieldcheck®, FieldXpert™, Applicator®

Registered or registration-pending trademarks of the Endress+Hauser Group





[www.addresses.endress.com](http://www.addresses.endress.com)

---